



Industrial Onboard Chargers Eagle Performance Series



Eagle Performance Series Onboard Lift
7.75"H x 8.50"W x 7.10"L • 19-28 lbs. based on unit's voltage/amperage

Eagle Performance Series Onboard
5.75"H x 8.50"W x 9.00"L • 19-28 lbs. based on unit's voltage/amperage

Product Highlights—

- Enhance battery performance and increase life span to significantly reduce your long-term costs.
- Charge 20% faster than the fastest competitors charger.
- Batteries last 20%-25% longer because they are charged more efficiently.
- Chargers are fully repairable.

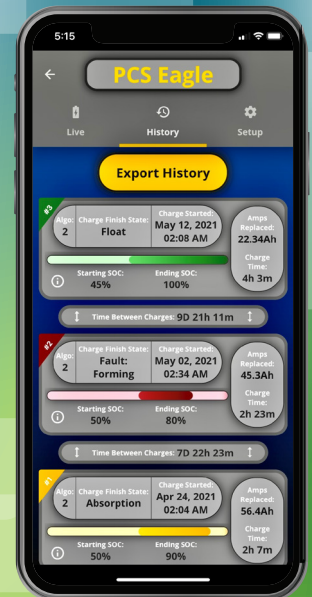
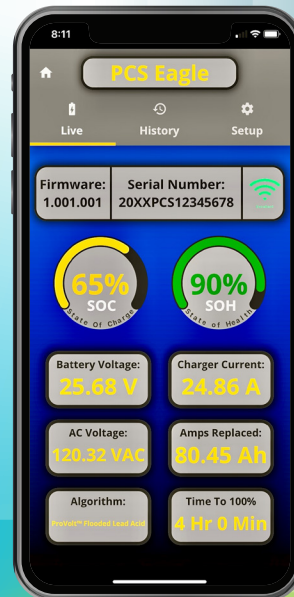


PROView™ Link is a mobile app that allows you to remotely monitor the condition of your batteries and manage your equipment/fleet using your iOS™ or Android™ mobile devices.

A Sample of Data You Can Access—

- State of Charge (SoC) for a single unit or your fleet
- State of Health (SoH) of your battery pack
- Date and Time Stamp (plugged in/unplugged)
- Early Charge Termination(s) Details

Free to download! (PROViewLink)

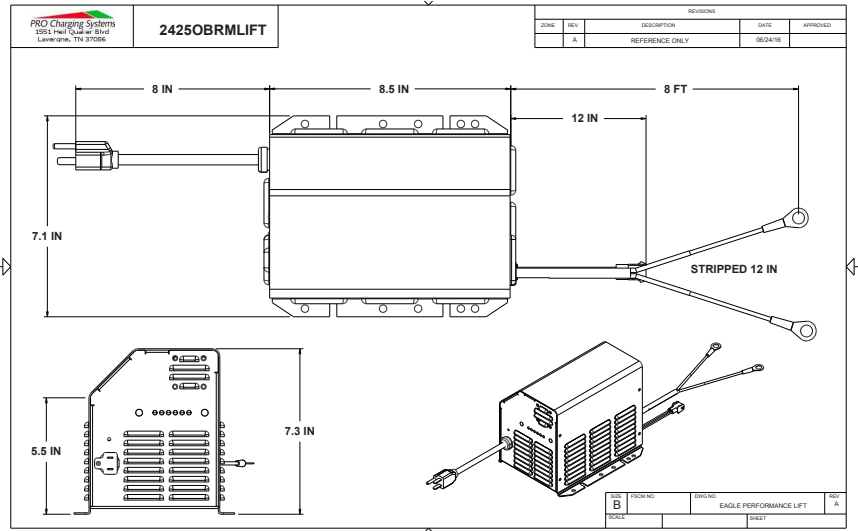


www.pcsdv.com 615.471.5300

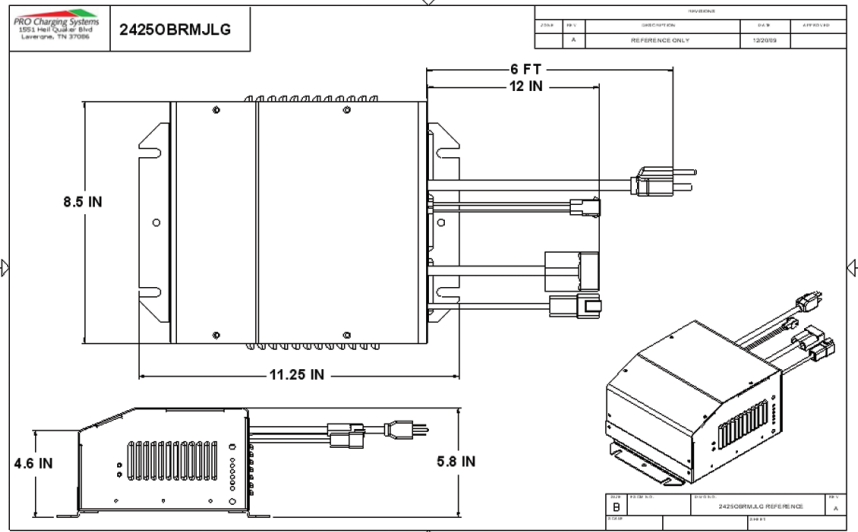
Exceptional **QUALITY, PERFORMANCE, and RELIABILITY.**



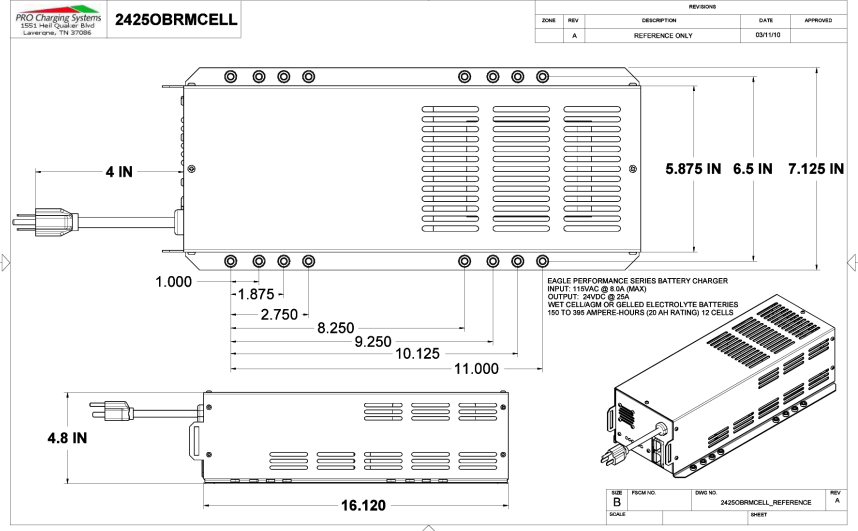
2425OBRMLIFT 24 Volt 25 Amps
 Fits: Genie, Skyjack, Snorkel, and Etc.



2425OBRMJLG 24 Volt 25 Amp
 Fits: JLG
 (Includes Deutsch connector for remote battery display)



2425OBRMCELL 24 Volt 25 Amps
 Fits: Battery packs for selected lift equipment



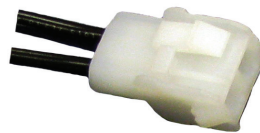
Several "Plug 'N Play" Connector Options Are Available For The Eagle Performance Series.



Anderson SB connectors



Deutsch connector (JLG)



AMP Mate-N-Lok



Ring Terminals



www.pcsdv.com
 615.471.5300