



DUAL PRO®

Pro Quality Pro Performance

*Longer battery life... Extended run times...
Chargers for all battery chemistries.*



From sunrise to sunset... stay on the water longer.



www.dualpro.com


PRO Charging Systems



Dual Power

36V/12V Dual Output for all battery chemistries

This high frequency charger simultaneously charges your cranking battery independently and your trolling motor batteries together in series.

FASTEST charger in its class!

Algorithms are field programmable with PROVIEW® Link.



Professional and Sportsman Series chargers have set the standard in the marine industry for more than two decades, known as the safest, most reliable, and best performing chargers in the industry. *Unbeatable performance, reliability, safety and quality delivered by DUAL PRO®*

Charge Wet Cell and AGM Batteries



Sportsman Series
(with 1, 2, 3, or 4)
10 Amp banks

Professional Series
(with 1, 2, 3 or 4)
15 Amp banks

PROVOLT™ Intuitive Charging technology powers all Sportsman and Professional Series chargers.

- Designed for use in fresh and saltwater
- Independent outputs
- Battery maintenance mode
- Advanced microprocessor controlled
- Waterproof, dependable, rugged construction
- Fully automatic / multi stage charging
- On-board diagnostic codes
- Approved and meets ISO 8846 Marine standards

Charge Lithium and AGM Batteries

OUR NEWEST TECHNOLOGY... AUTOPROFILE

Sportsman Series with AutoProfile
(with 1, 2, 3, or 4)
10 Amp banks

Professional Series with AutoProfile
(with 1, 2, 3 or 4)
15 Amp banks



AUTOPROFILE detects if batteries are Lithium or AGM and automatically charges for optimal performance.*

- Fully automatic. Completely and safely charges both Lithium and AGM batteries
- Algorithms designed and validated with battery manufacturers for a 100% charge
- Wake up feature for Lithium batteries that have turned off due to low voltage protection

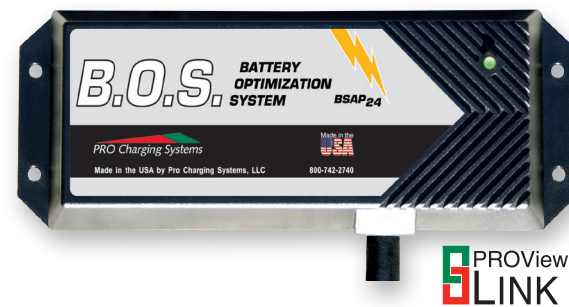
*Can also detect and charge wet cell/flooded lead acid (FLA) batteries.



Up to 4X Longer Runtime with B.O.S.!

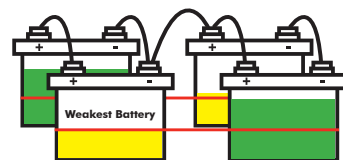
Battery Optimization System aka B.O.S.

- Actively shuttles energy between batteries to keep "the pack" balanced, increasing battery strength and longevity
- Easy to connect | Fully automatic | PROVIEW Link™ ready
- Continuously works in the background

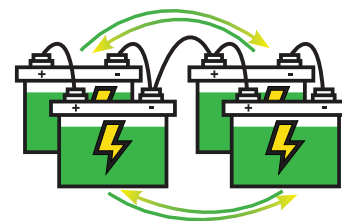


Did you know?

Without B.O.S.
The pack is only as good as its "weakest link".



With B.O.S.
B.O.S. strengthens the weaker batteries, stabilizing the pack.



PROVIEW LINK™



- Monitor and manage the condition of your batteries
- Always know your state of charge
- Program charge algorithms (when not automatic)
- Connects to charger via B.O.S. or a battery fuel gauge

It's **FREE!** Download from Google Play or App Store.



RealPRO® Series

Most Economical Charger



6 AMP banks - One, two and three bank models for Flooded, AGM and Lithium batteries
 High Performing Entry Level • Engineered in the USA • Waterproof • 2 year Warranty

The most advanced and reliable Battery Gauges on the market!

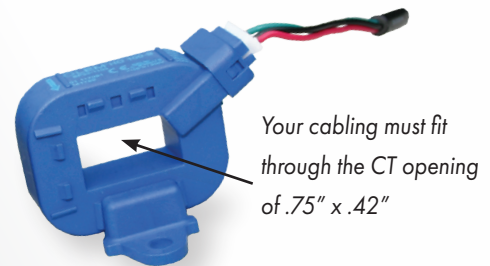
Models for Lead Acid (Wet Cell), AGM and Lithium Batteries

- Accurately displays battery state/charge status for both trolling and starting motors
- Durable • Water resistant • Easy installation with self-ratcheting back
- PROView Link™ compatible!



Did you know? A typical gauge cannot precisely detect lithium battery levels as they charge/discharge.

PCS Lithium Battery Gauges include a Current Transducer (CT). The CT allows the gauge to accurately track amp hours in and out resulting in an accurate, real-time state of charge reading.
 (Depending on your configuration, you may need to purchase a 5' CT extension cable.)

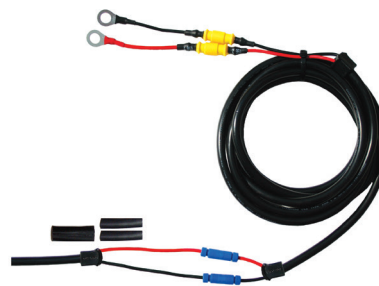
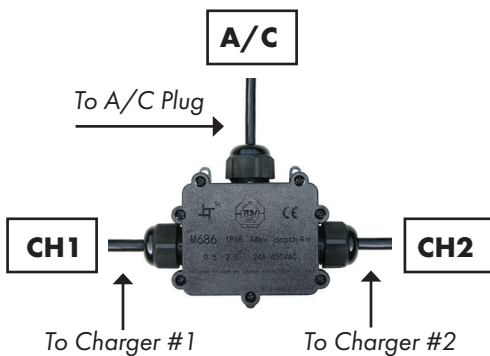


Your cabling must fit through the CT opening of .75" x .42"

Marine Accessories

A/C JUNCTION BOX

- Junction Box provides secure, watertight connections for marine electrical cables
- Use to connect two on-board chargers with one A/C cable



5, 10 and 15 Foot Cable Extensions

- Everything you need to join cables with quick and sure connectors (No Crimping)
- Sealed with 2 layers of pliable heat shrink
- Heavy 14 gauge wire cable assembly
- Meets Marine ABYC standards

A/C Plug Inlet

- Black or white molded plastic with attached cover
- Streamlines the attachment of on-board chargers to an A/C plug



Side view of white inlet
 Front view of black inlet

