



## Battery Charging System Designed for the **Heavy Demands of Electric Utility Vehicles**

- Easy Installation!—"Plug 'N Play" Technology
- Unmatched Performance, Reliability, Safety and Quality
- DeltaVolt—Intuitive 5 Stage Charge Technology
- Advanced Charging Algorithms
- Superior Control of Specific Gravity Consistent with Battery Manufacturer Recommendations
- Quickly Becoming Known as the Charger of Choice for Users with Heavy Demands

 **DeltaVolt**<sup>®</sup>  
Intuitive Charging Technology



May be used in many types of applications including: **Electric Utility Vehicles, Electric Hunting Vehicles, Solar Industrial Signs and Solar Light Towers.**

Batteries and battery chargers are systems that should work together to provide optimal performance for electric vehicles and other applications. When either the battery or the charger under performs the result is reduced productivity and increased costs relative to the replacement of batteries and failed chargers. Pro Charging System's sophisticated Eagle Performance Series line of chargers utilizes the company's proprietary Delta Volt<sup>®</sup> charging technology to enhance both the performance and life of batteries.

### More Features of the Eagle Performance Series On-Board Battery Chargers

- Automatically detects and configures for battery type.
- For use with Wet Cell, AGM and Gelled Electrolyte batteries
- Dual transformers and dual LED indicators
- Reverse polarity spark free operation
- Fully automatic with float maintenance
- Return to charge maintenance mode
- Exclusive on board diagnostics
- Optional "Universal" A/C input
- Interoperability with PCS Battery Fuel Gauges
- Interlock connectors available



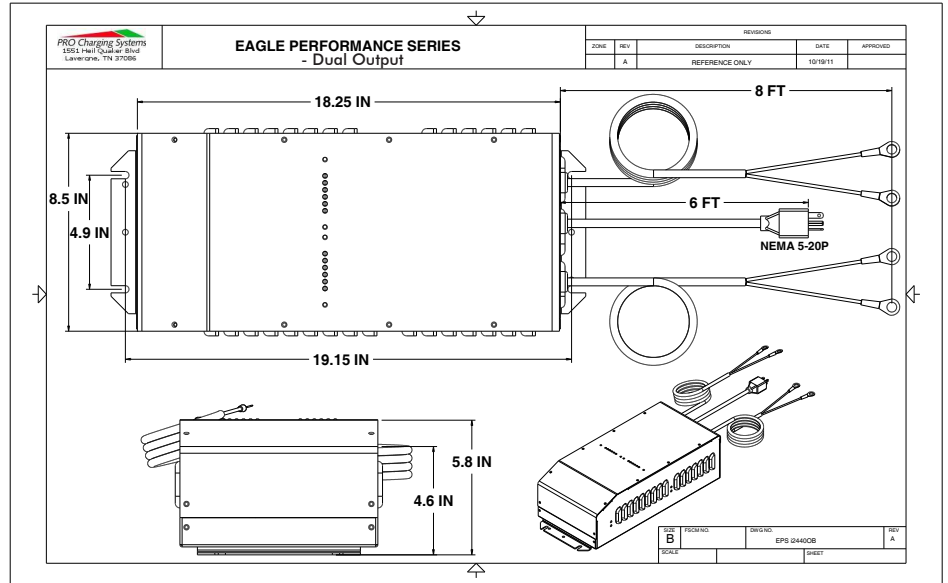
Comes standard to view charging history and more. Info available at [www.pcsdv.com](http://www.pcsdv.com)



Model	Total Output	Size Per Unit	Weight Per Unit	Battery System	Reverse Polarity	Fan Cooled	Temp. Control	<u>QUICK LOGIC</u>
i1250 Dual	2 x 25 Amps	5.80"H x 8.50"W x 18.25"L	40 lbs.	12V	YES	YES	YES	YES
i2440 Dual	2 x 20 Amps	5.80"H x 8.50"W x 18.25"L	40 lbs.	24V	YES	YES	YES	YES
i2450 Dual	2 x 25 Amps	5.80"H x 8.50"W x 18.25"L	44 lbs.	24V	YES	YES	YES	YES
i3640 Dual	2 x 20 Amps	5.80"H x 8.50"W x 18.25"L	44 lbs.	36V	YES	YES	YES	YES
i3650 Dual	2 x 25 Amps	5.80"H x 8.50"W x 18.25"L	58 lbs.	36V	YES	YES	YES	YES
i4836 Dual	2 x 18 Amps	5.80"H x 8.50"W x 18.25"L	58 lbs.	48V	YES	YES	YES	YES
i6426 Dual	2 x 13 Amps	5.80"H x 8.50"W x 18.25"L	58 lbs.	64V	YES	YES	YES	YES
i7224 Dual	2 x 12 Amps	5.80"H x 8.50"W x 18.25"L	58 lbs.	72V	YES	YES	YES	YES



Comes standard to view charging history and more. Info available at [www.pcsdv.com](http://www.pcsdv.com)



**Model 1250OB Dual Output:** Two 25 Amp outputs @ 12 Volts  
5.80"H x 8.50"W x 18.25"L and 40lbs.

**Model 2440OB Dual Output:** Two 20 Amp outputs @ 24 Volts  
5.80"H x 8.50"W x 18.25"L and 40lbs.

**Model 2450OB Dual Output:** Two 25 Amp outputs @ 24 Volts  
5.80"H x 8.50"W x 18.25"L and 44lbs.

**Model 3640OB Dual Output:** Two 20 Amp outputs @ 36 Volts  
5.80"H x 8.50"W x 18.25"L and 44lbs.

**Model 3650OB Dual Output:** Two 25 Amp outputs @ 36 Volts  
5.80"H x 8.50"W x 18.25"L and 58lbs.

**Model 4836OB Dual Output:** Two 18 Amp outputs @ 48 Volts  
5.80"H x 8.50"W x 18.25"L and 58lbs.

**Model 6426OB Dual Output:** Two 13 Amp outputs @ 64 Volts  
5.80"H x 8.50"W x 18.25"L and 58lbs.

**Model 7224OB Dual Output:** Two 12 Amp outputs @ 72 Volts  
5.80"H x 8.50"W x 18.25"L and 58lbs.

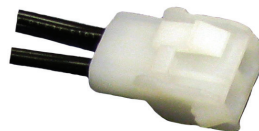
Several "Plug 'N Play" Connector Options Are Available For The Eagle Performance Series.



Anderson SB connectors



Deutsch connector (JLG)



AMP Mate-N-Lok



Ring Terminals