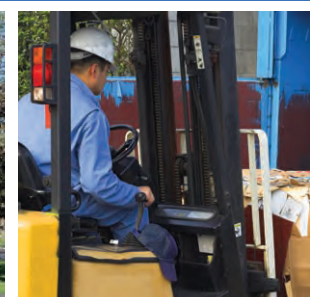
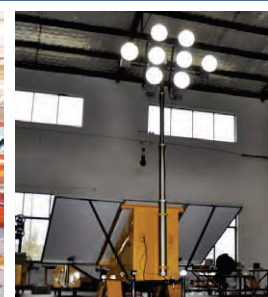




PRO Charging Systems

The Name in Charging Technologies



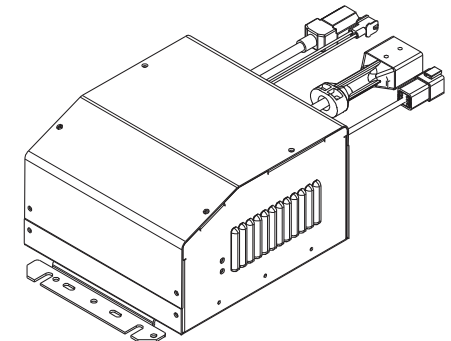
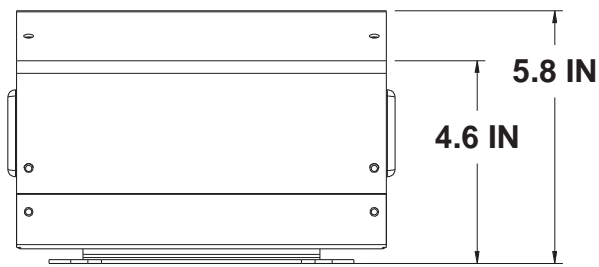
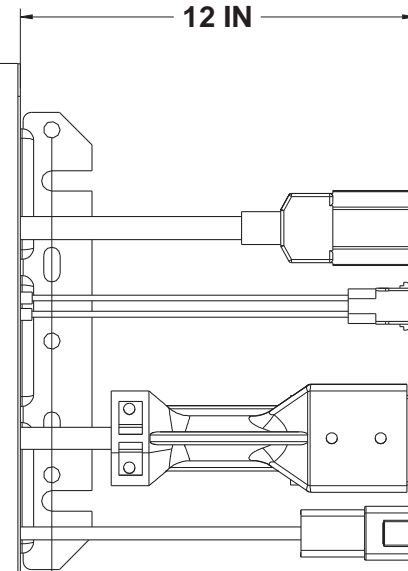
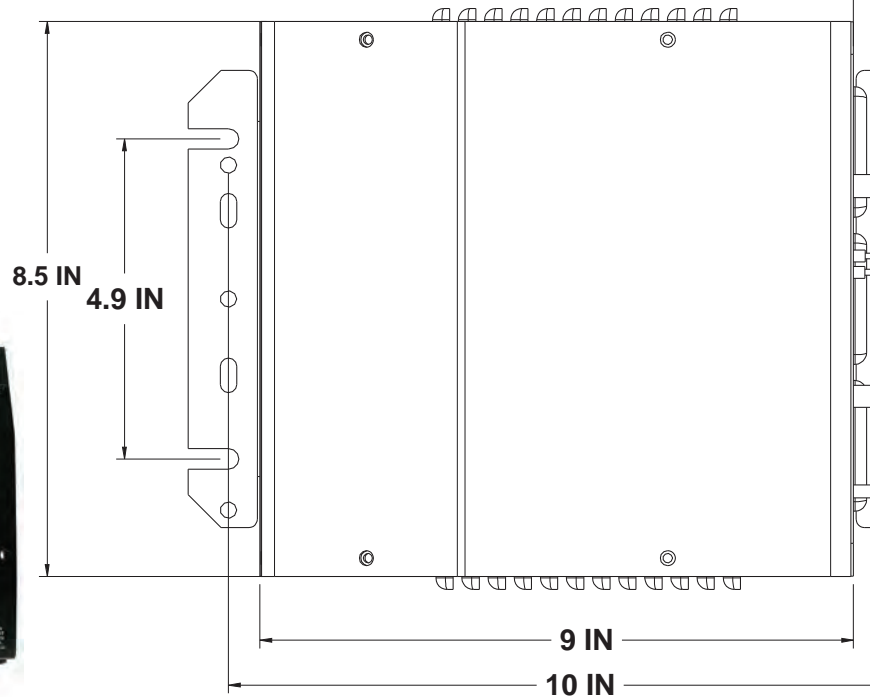
Industrial Market Drawings



i2420OBRMIECJLG / i2425OBRMIECJLG
JLG ES SERIES (GENERATION 3) / TOUCAN 24 VOLT SERIES

REVISIONS

ZONE	REV	DESCRIPTION	DATE	APPROVED
	A	REFERENCE ONLY	12/23/14	

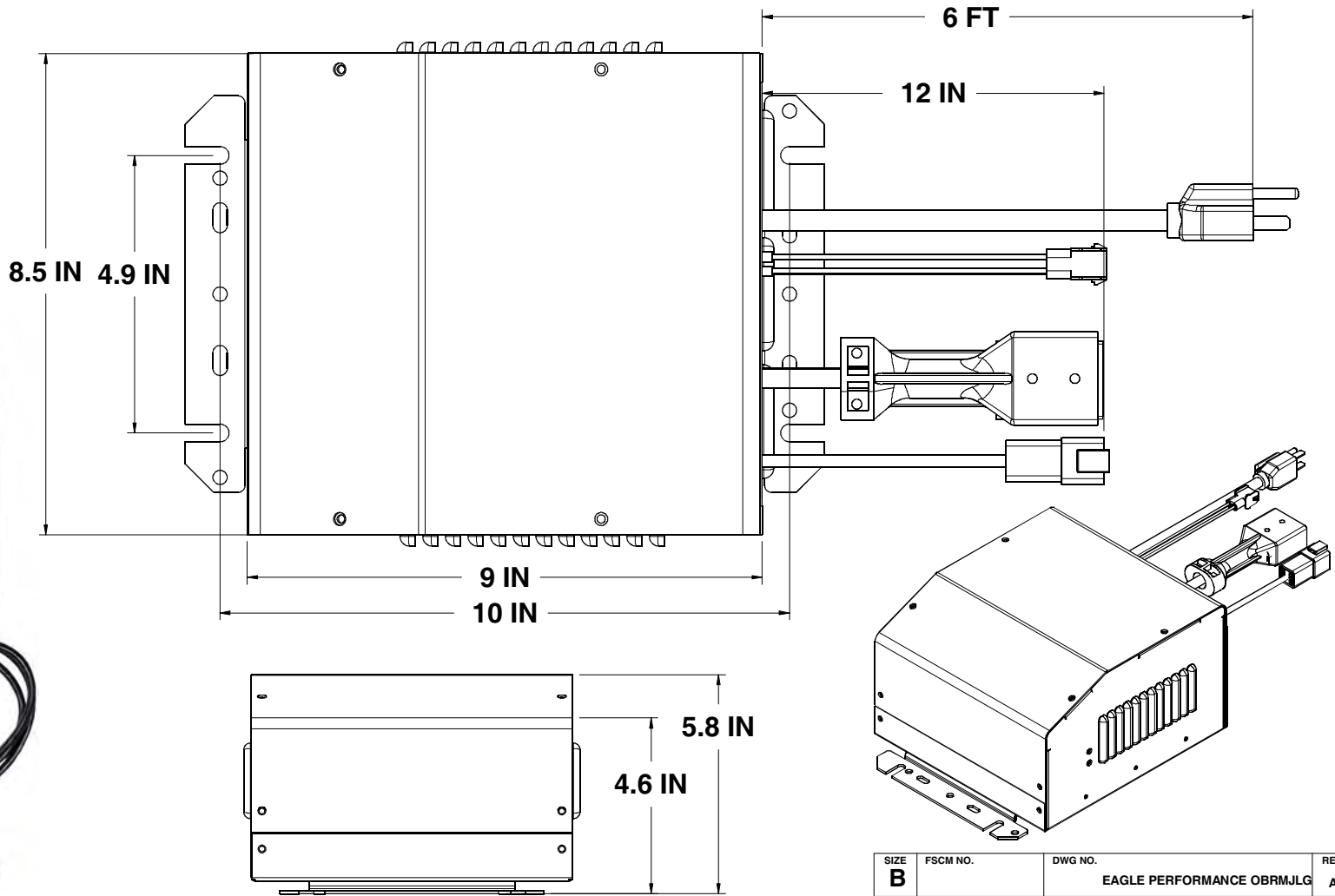


SIZE	FSCM NO.	DWG NO.	REV
B		EAGLE PERFORMANCE OBRMIECJLG	A
SCALE		SHEET	



i2420OBRMJLG / i2425OBRMJLG
JLG ES SERIES (GEN 3 BEFORE 2009) 15MSP / 20MSP / 15MVL)

REVISIONS				
ZONE	REV	DESCRIPTION	DATE	APPROVED
	A	REFERENCE ONLY	01/06/16	

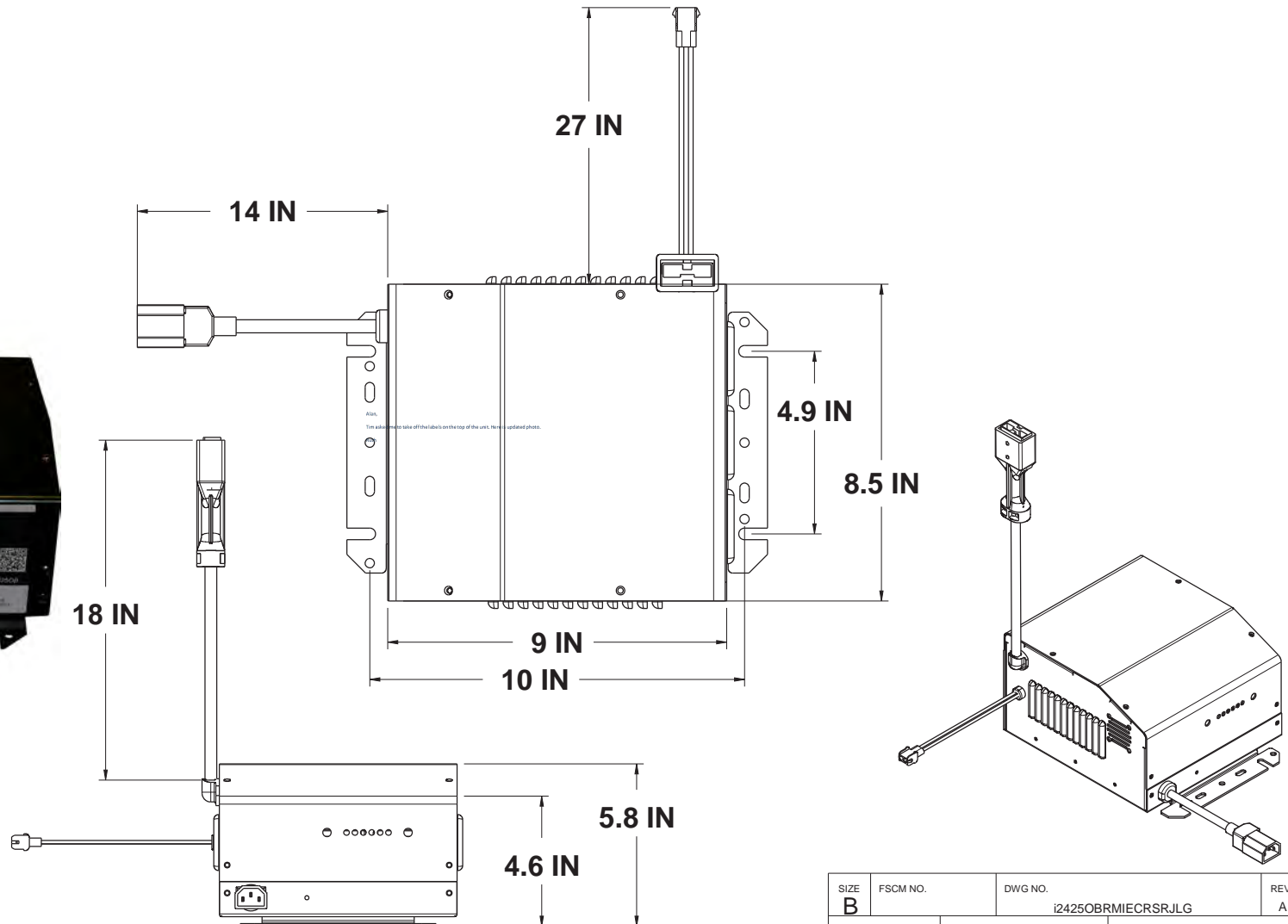


SIZE B	FSCM NO.	DWG NO.	REV A
SCALE	EAGLE PERFORMANCE OBRMJLG		SHEET



i2425OBRMIECRSRJLG

REVISIONS				
ZONE	REV	DESCRIPTION	DATE	APPROVED
	A	REFERENCE ONLY	11/13/15	



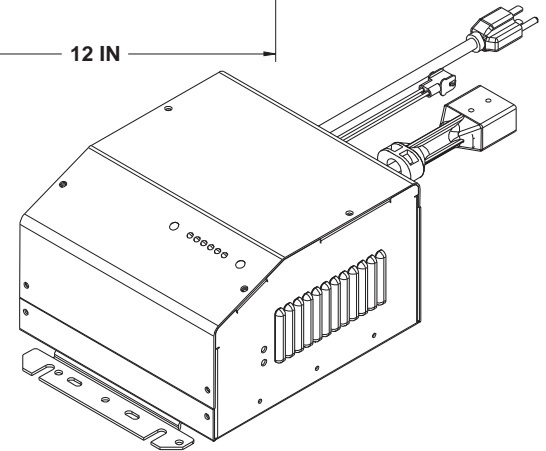
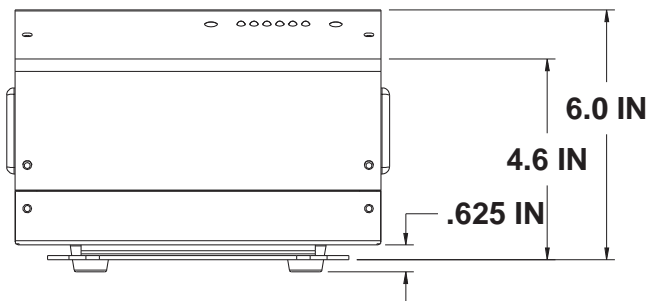
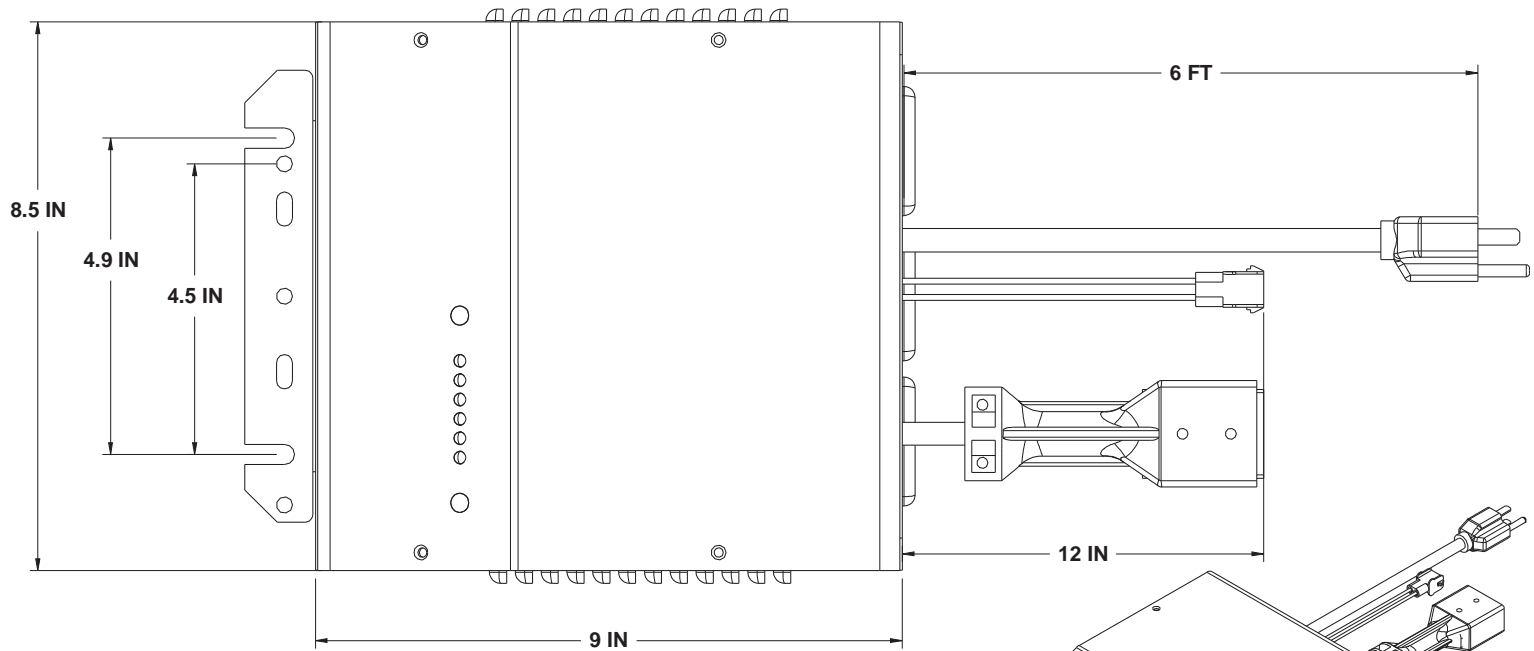
SIZE B	FSCM NO.	DWG NO. i2425OBRMIECRSRJLG	REV A
SCALE Sheet Scale	SHEET		Sheet Number



i2420OBRMCF / i2425OBRMCF

JLG ES SERIES (GENERATION 2)

REVISIONS				
ZONE	REV	DESCRIPTION	DATE	APPROVED
	A	REFERENCE ONLY	01/15/11	

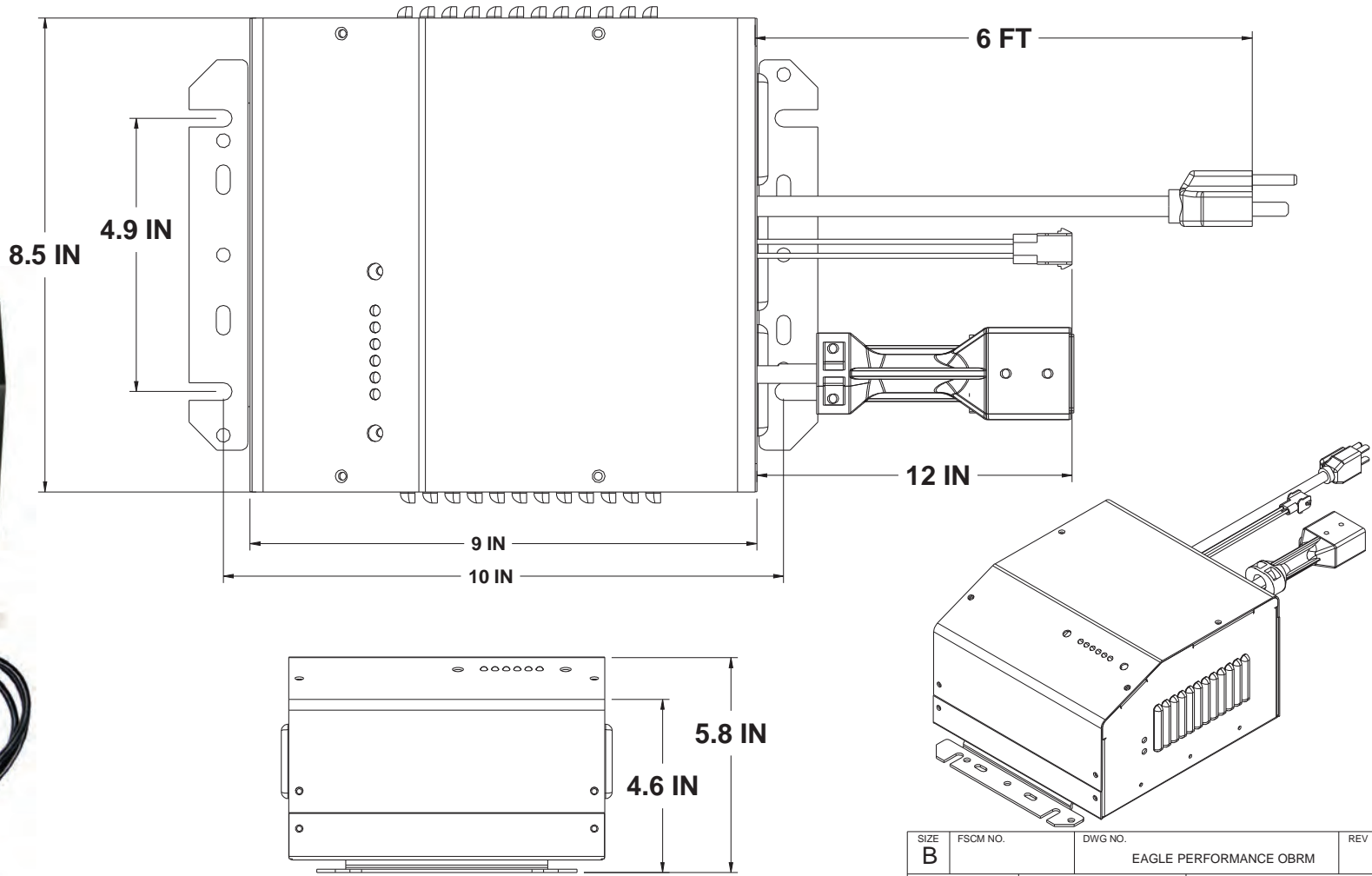


SIZE	FSCM NO.	DWG NO.	REV
B		EAGLE PERFORMANCE OBRMCF	A
SCALE		SHEET	



i2420OBRM / i2425OBRM / i4818OBRM
JLG ES SERIES (GENERATION 1)

REVISIONS				
ZONE	REV	DESCRIPTION	DATE	APPROVED
	A	REFERENCE ONLY	07/28/11	

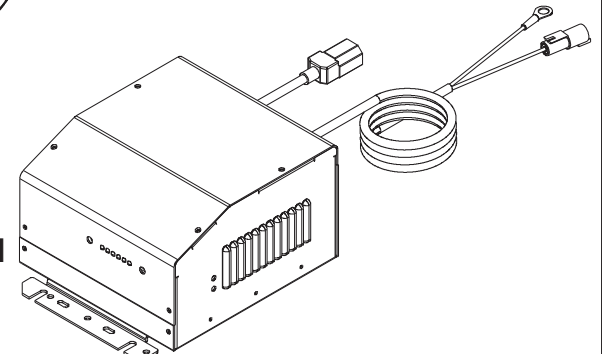
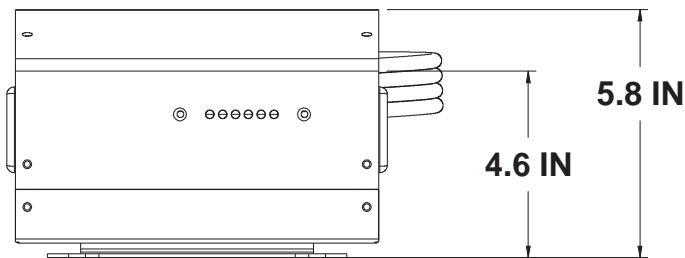
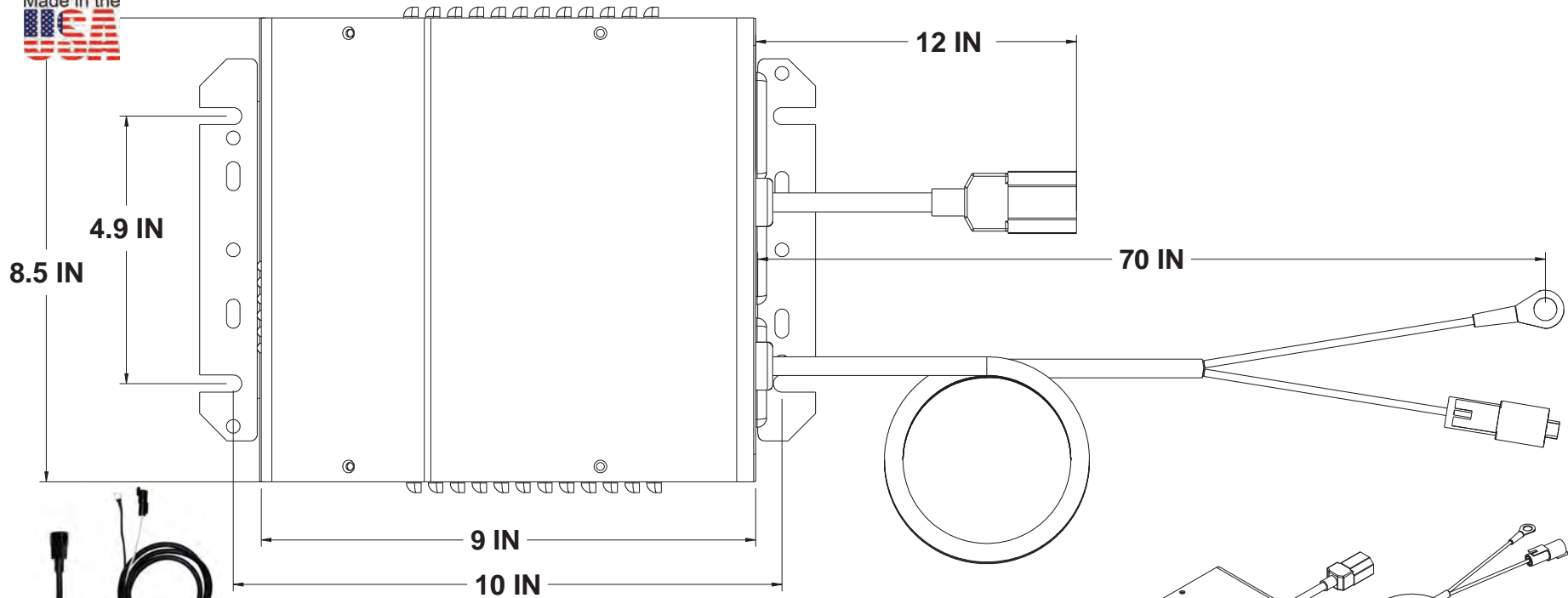


SIZE B	FSCM NO.	DWG NO. EAGLE PERFORMANCE OBRM	REV
SCALE		SHEET	



i2420OB RMJLGTTB / i2425OB RMJLGTTB
JLG ES SERIES T350 / T500J BOOM LIFTS

REVISIONS				
ZONE	REV	DESCRIPTION	DATE	APPROVED
	A	REFERENCE ONLY	12/18/12	

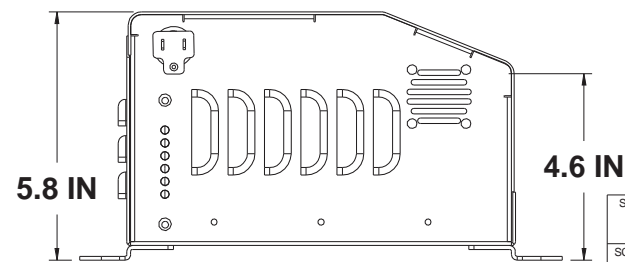
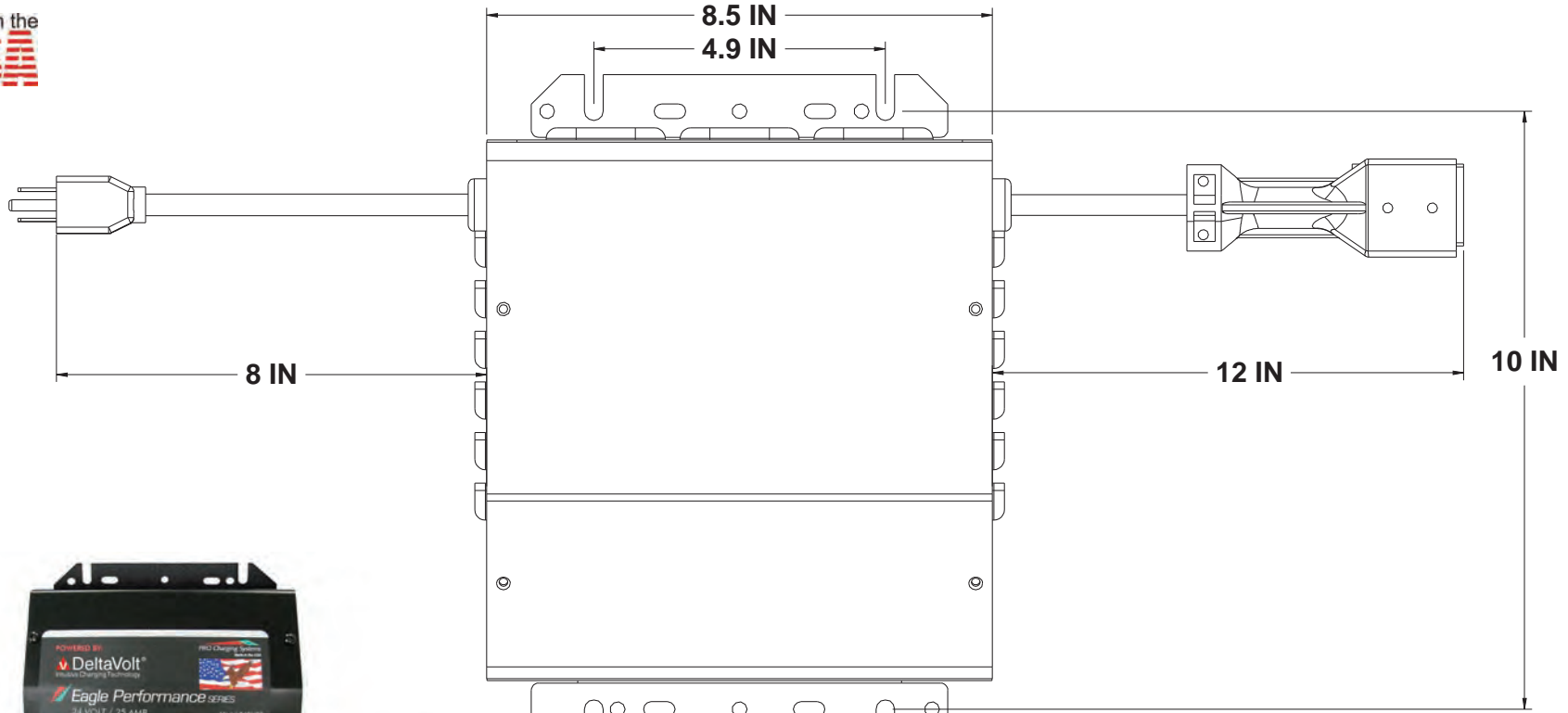


SIZE B	FSCM NO.	DWG NO. OBRMJLGTTB	REV A
SCALE		SHEET	



i2420OBRMJLGE / i2425OBRMJLGE
E SERIES (1532E / 1932E / 2033E / 2046E / 2646E / 2658E)

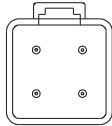
REVISIONS				
ZONE	REV	DESCRIPTION	DATE	APPROVED
	A	REFERENCE ONLY	01/18/11	



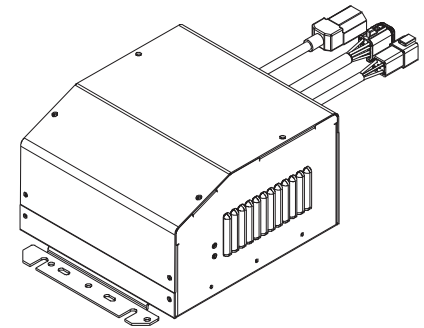
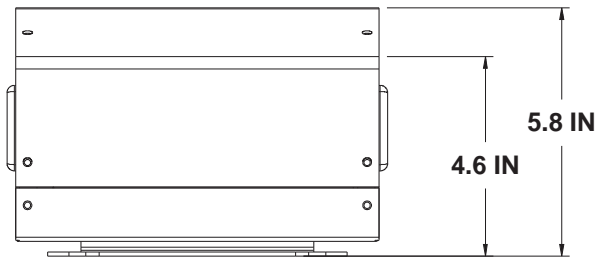
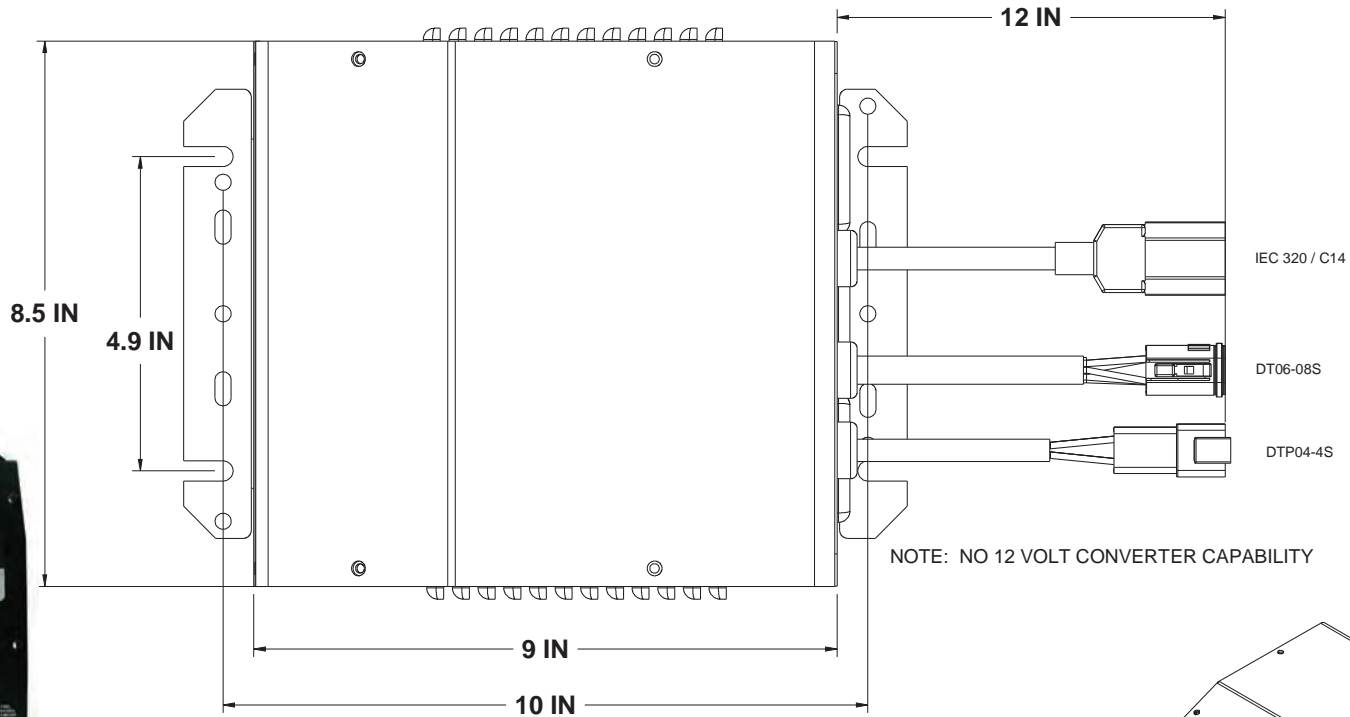
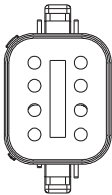
SIZE B	FSCM NO.	DWG NO. EAGLE PERFORMANCE OBRMJLGE	REV A
SCALE			SHEET

i4815OBRMTOUJLG / i4818OBRMTOUJLG
TOUCAN 12E / 32E SERIES

REVISIONS				
ZONE	REV	DESCRIPTION	DATE	APPROVED
	A	REFERENCE ONLY	01/08/15	



DTP04-4S



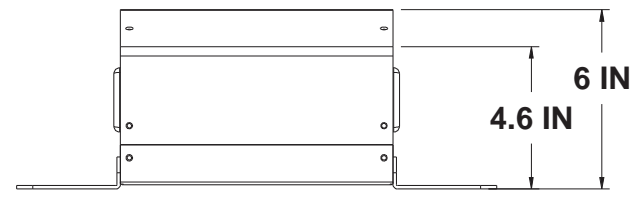
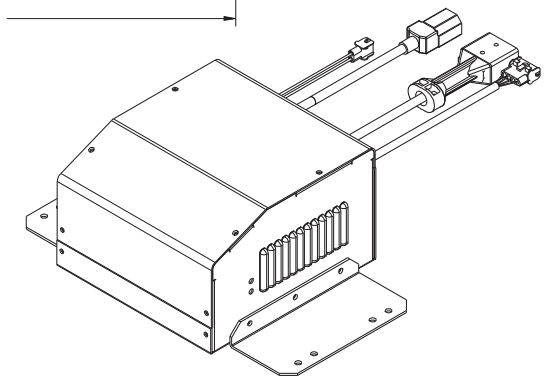
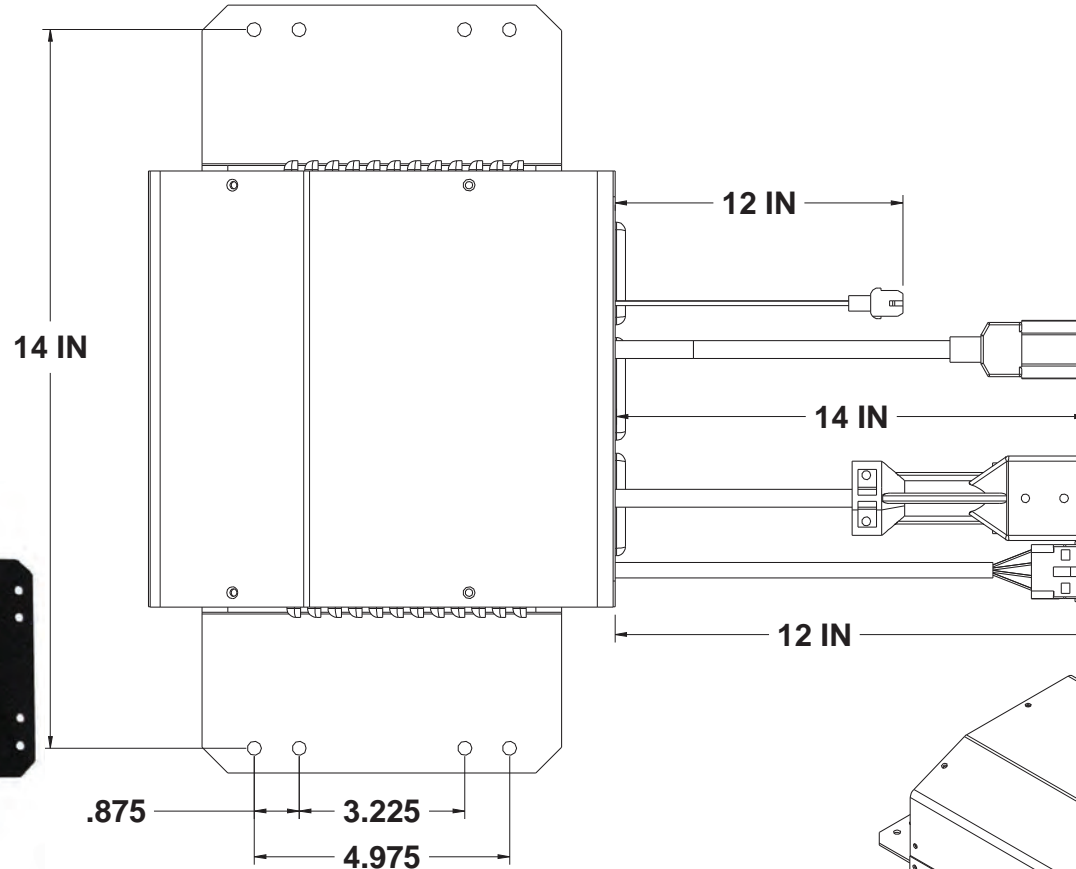
SIZE B	FSCM NO.	DWG NO. EAGLE PERFORMANCE OBRMTOUJLG	REV A
SCALE			SHEET



i4818OBRMJLGS400A JLG E SERIES

REVISIONS

ZONE	REV	DESCRIPTION	DATE	APPROVED
	A	REFERENCE ONLY	01/19/11	

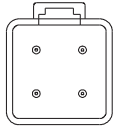


SIZE B	FSCM NO.	DWG NO. EAGLE PERMANCE OBRMJLGS400A	REV A
SCALE			SHEET

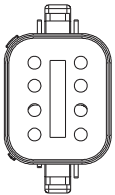


i4818OBRMJLGEAJP
 JLGE ARTICULATING JIB PLATFORM

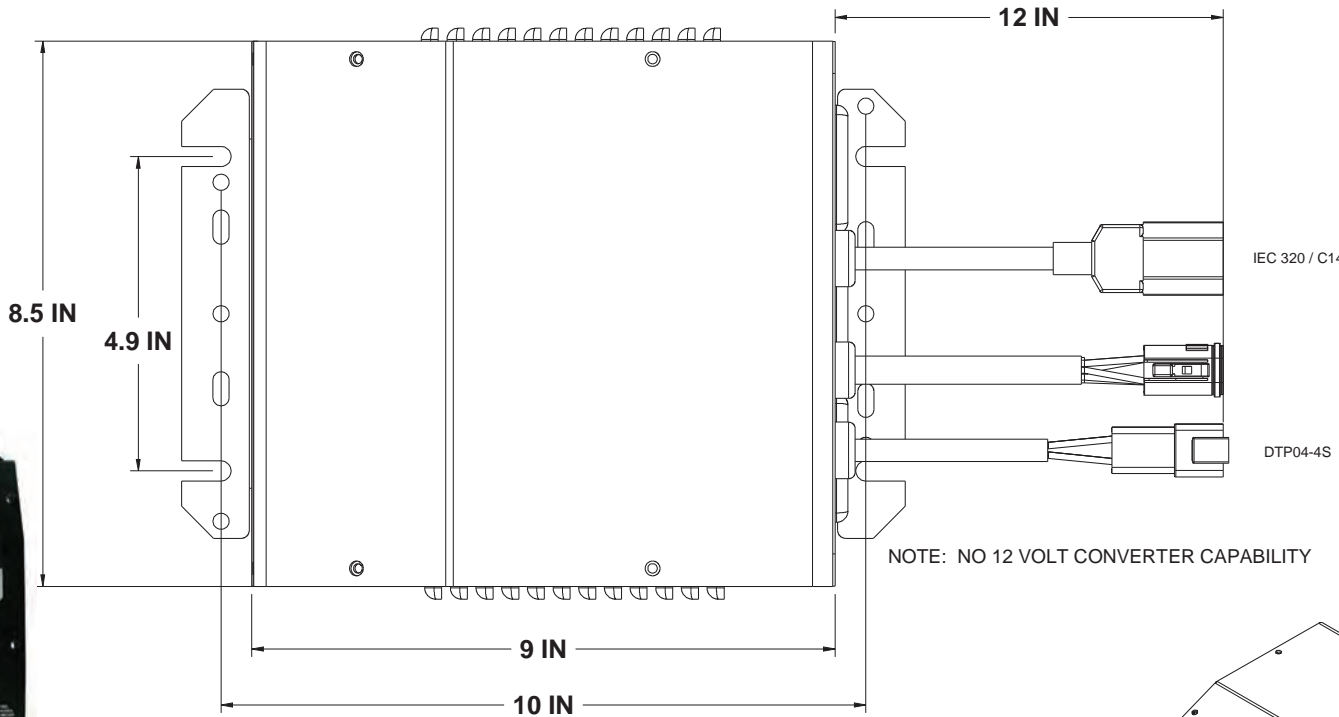
REVISIONS				
ZONE	REV	DESCRIPTION	DATE	APPROVED
	A	REFERENCE ONLY	05/01/15	



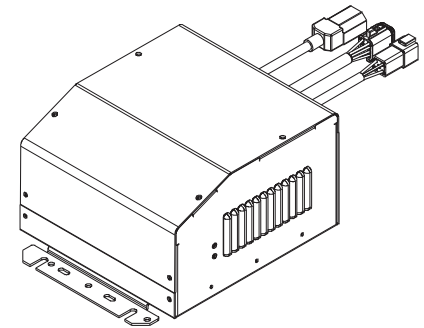
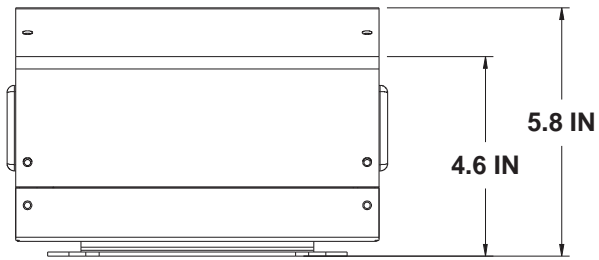
DTP04-4S



IEC 320 / C14



NOTE: NO 12 VOLT CONVERTER CAPABILITY

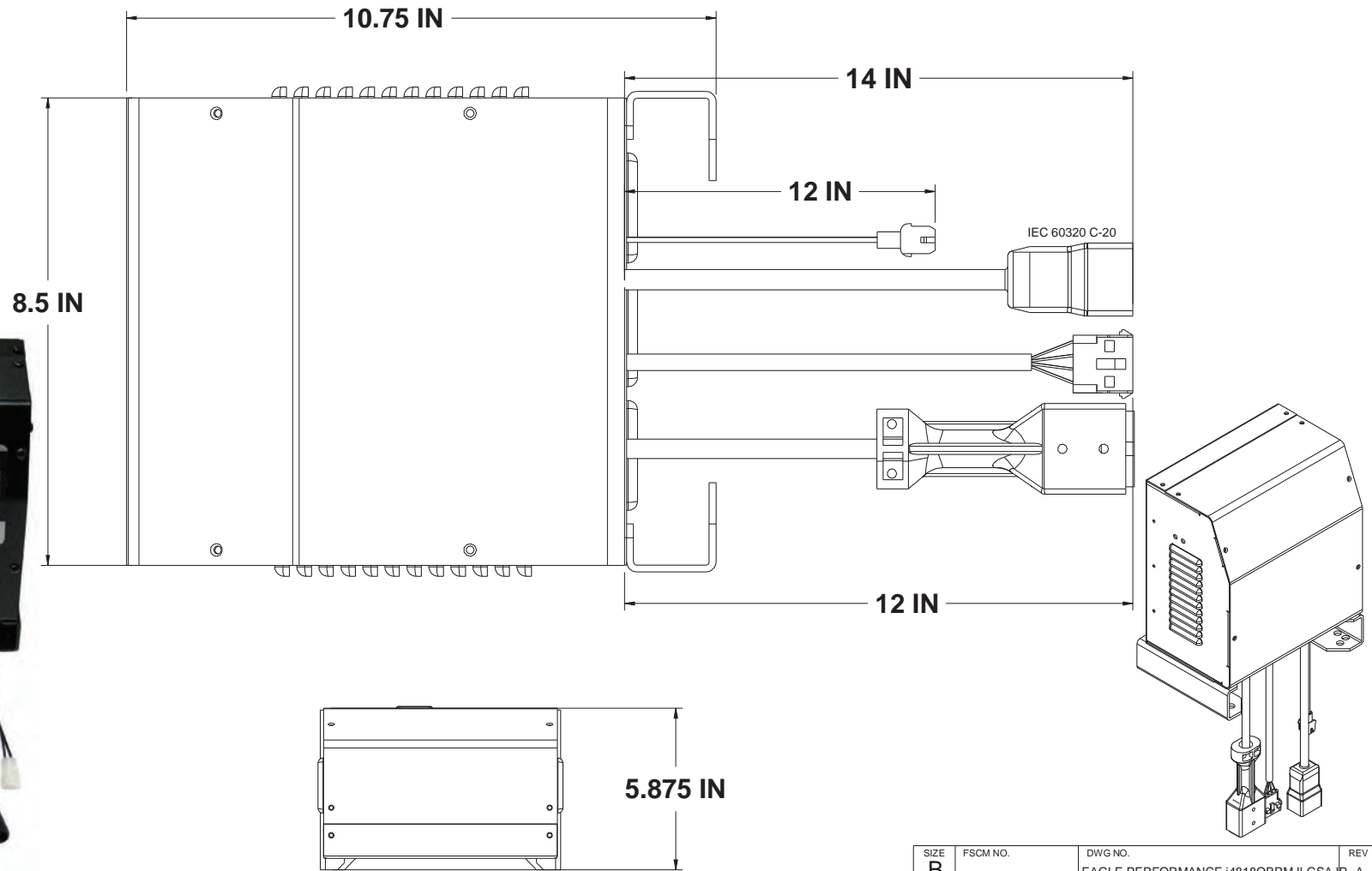


SIZE B	FSCM NO.	DWG NO. EAGLE PERFORMANCE OBRMJLGEAJP	REV A
SCALE			SHEET



i4818OBRMJLGSJJP
JLGS ARTICULATING JIB PLATFORM

REVISIONS				
ZONE	REV	DESCRIPTION	DATE	APPROVED
	A	REFERENCE ONLY	03/12/12	

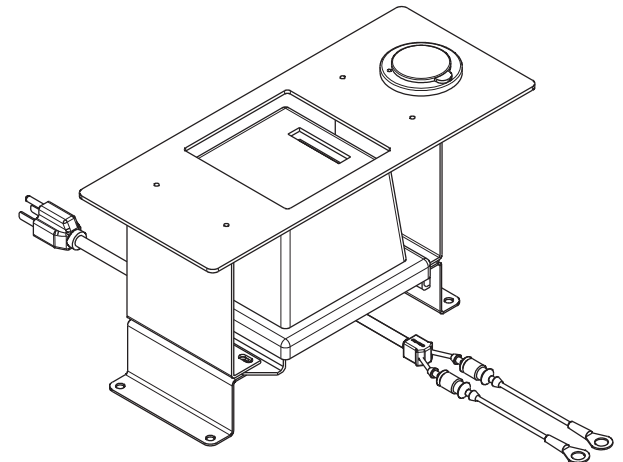
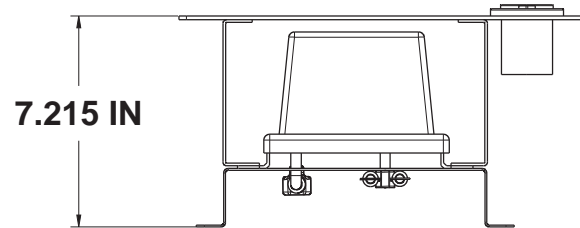
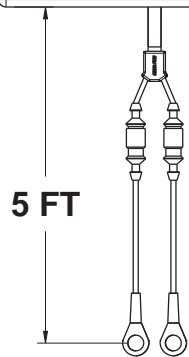
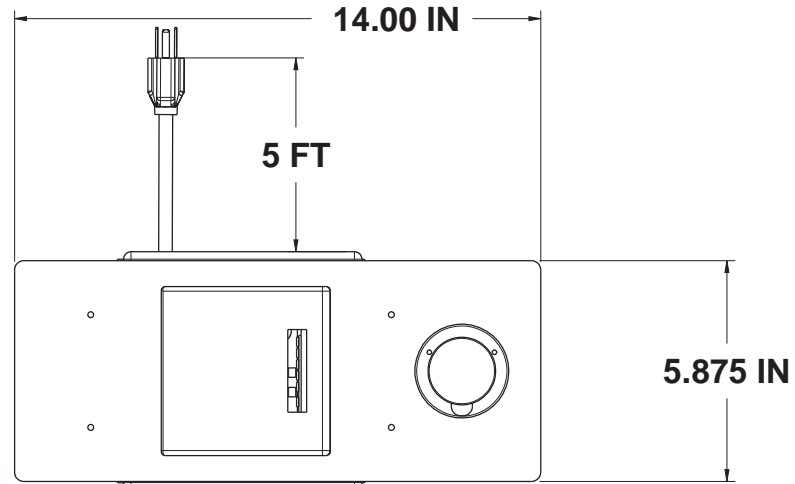


SIZE B	FSCM NO.	DWG NO. EAGLE PERFORMANCE i4818OBRMJLGSJJP	REV A
SCALE	SHEET		



PS1OBRMAMSPJLG
JLG AM AND SP PUSH AROUND LIFTS

REVISIONS				
ZONE	REV	DESCRIPTION	DATE	APPROVED
	A	REFERENCE ONLY	08/07/15	



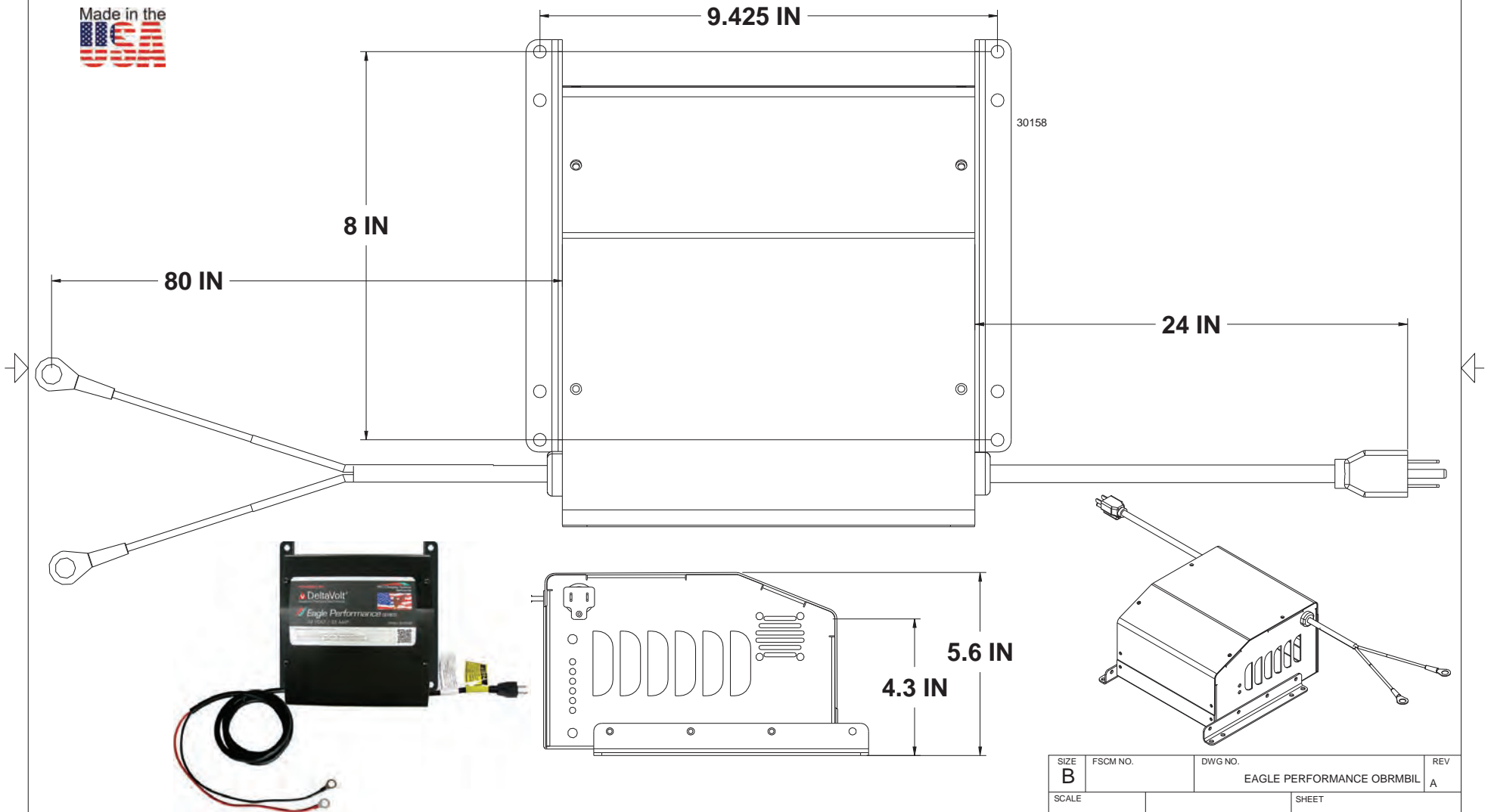
SIZE B	FSCM NO.	DWG NO. PS1OBRMAMSPJLG	REV A
SCALE	SHEET		



i2420OBRMBIL / i2425OBRMBIL
BIL-JAX 45XA / 55XA / 2622T / 3522A / 3632T / 4527A / 5533A

REVISIONS

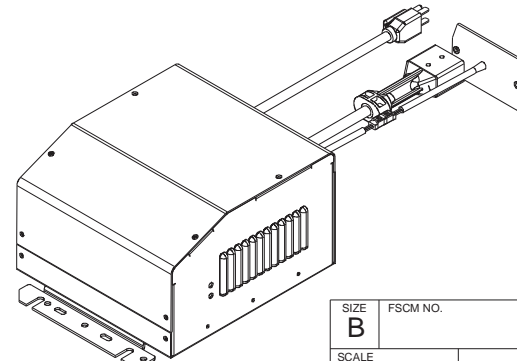
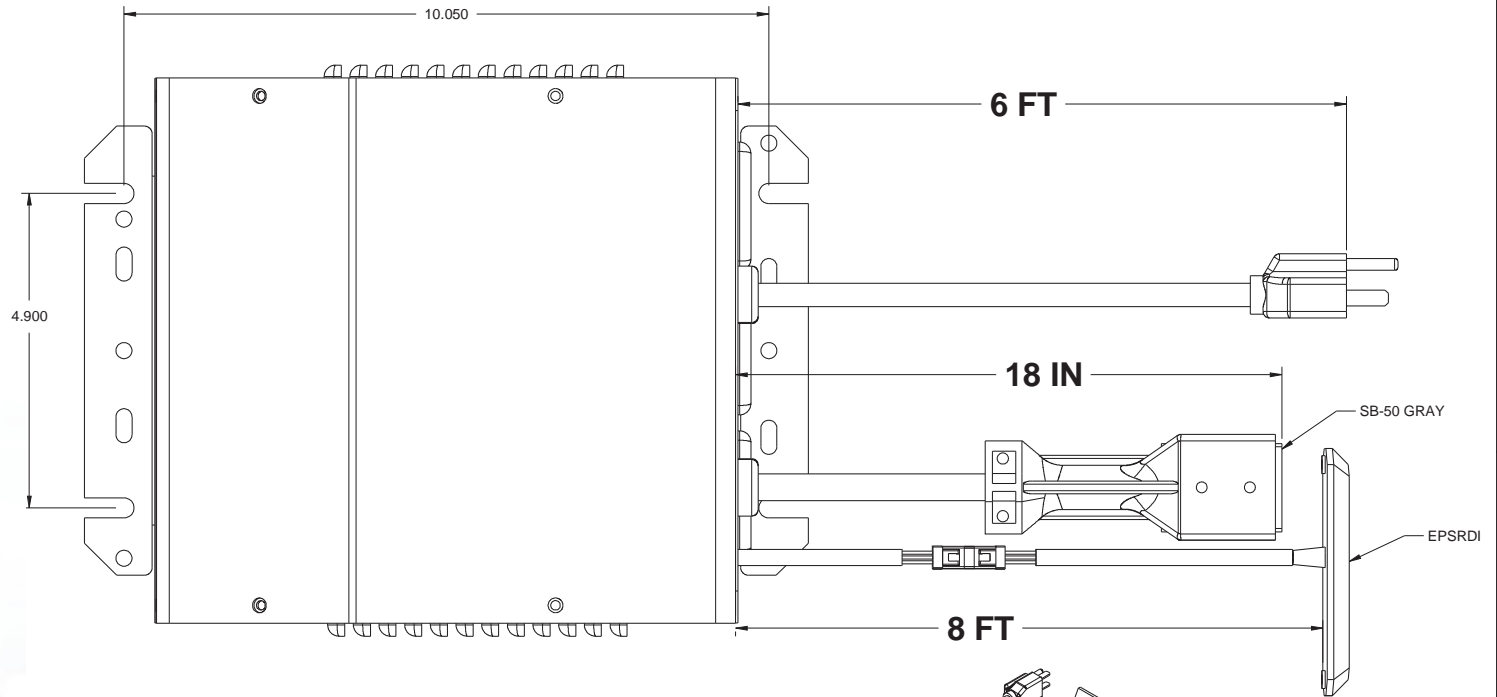
ZONE	REV	DESCRIPTION	DATE	APPROVED
	A	REFERENCE ONLY	03/20/13	



SIZE B	FSCM NO.	DWG NO. EAGLE PERFORMANCE OBRMBIL	REV A
SCALE			SHEET

i2425OBRMBILJRDI
BIL-JAX E 501 C

REVISIONS				
ZONE	REV	DESCRIPTION	DATE	APPROVED
	A	REFERENCE ONLY	03/20/13	

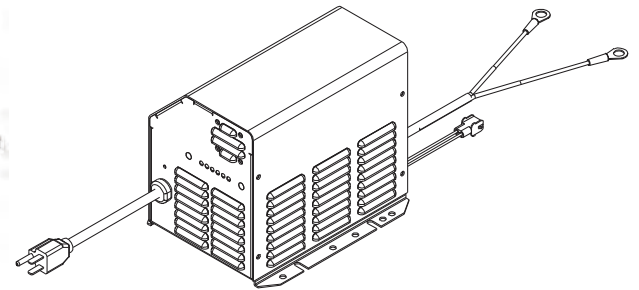
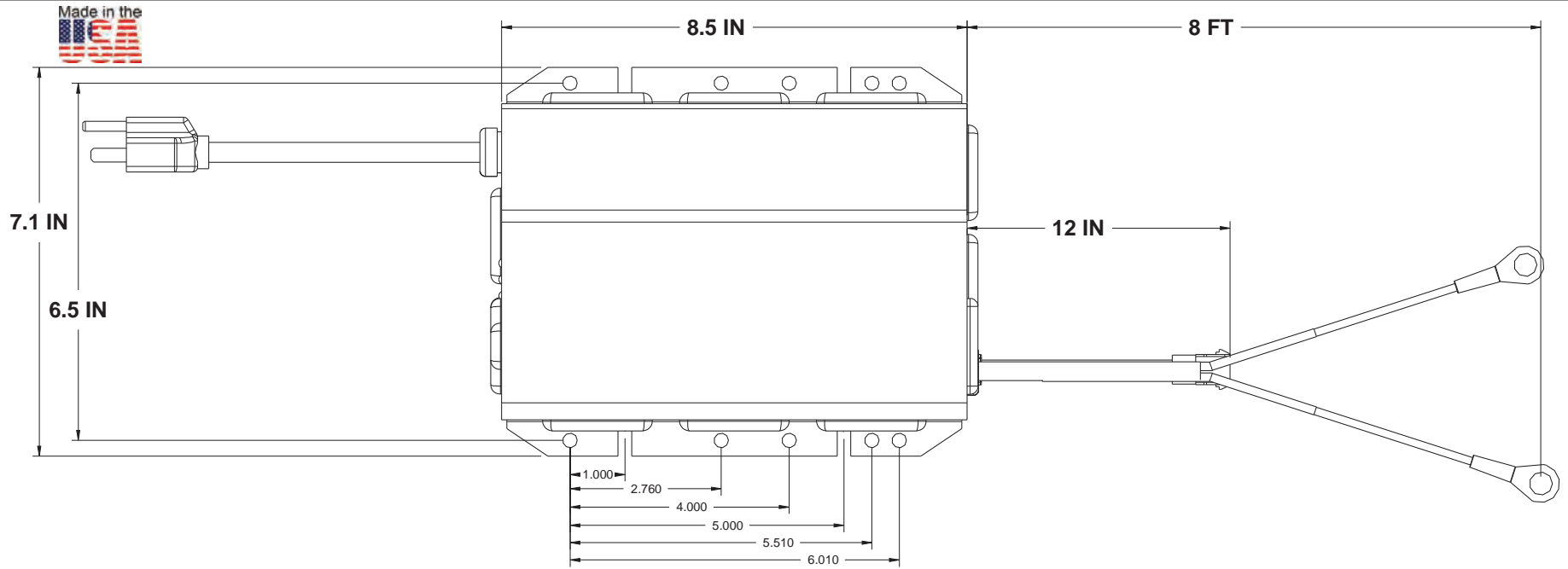


SIZE B	FSCM NO.	DWG NO. i2425OBRMBILJRDI	REV A
SCALE	SHEET		



i2420OBRMLIFT / i2425OBRMLIFT / i4815OBRMLIFT
GENIE, SKYJACK, AND JLG E2 & E3 SERIES

REVISIONS				
ZONE	REV	DESCRIPTION	DATE	APPROVED
	A	REFERENCE ONLY	12/12/13	

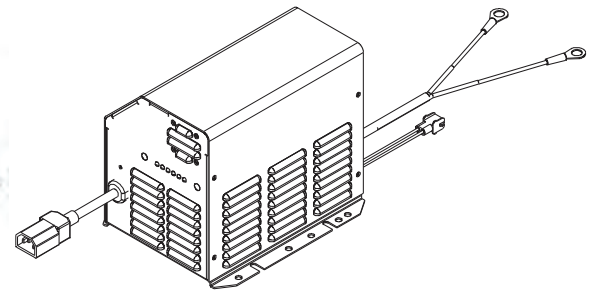
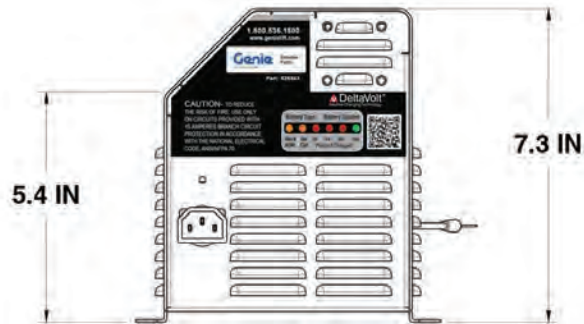
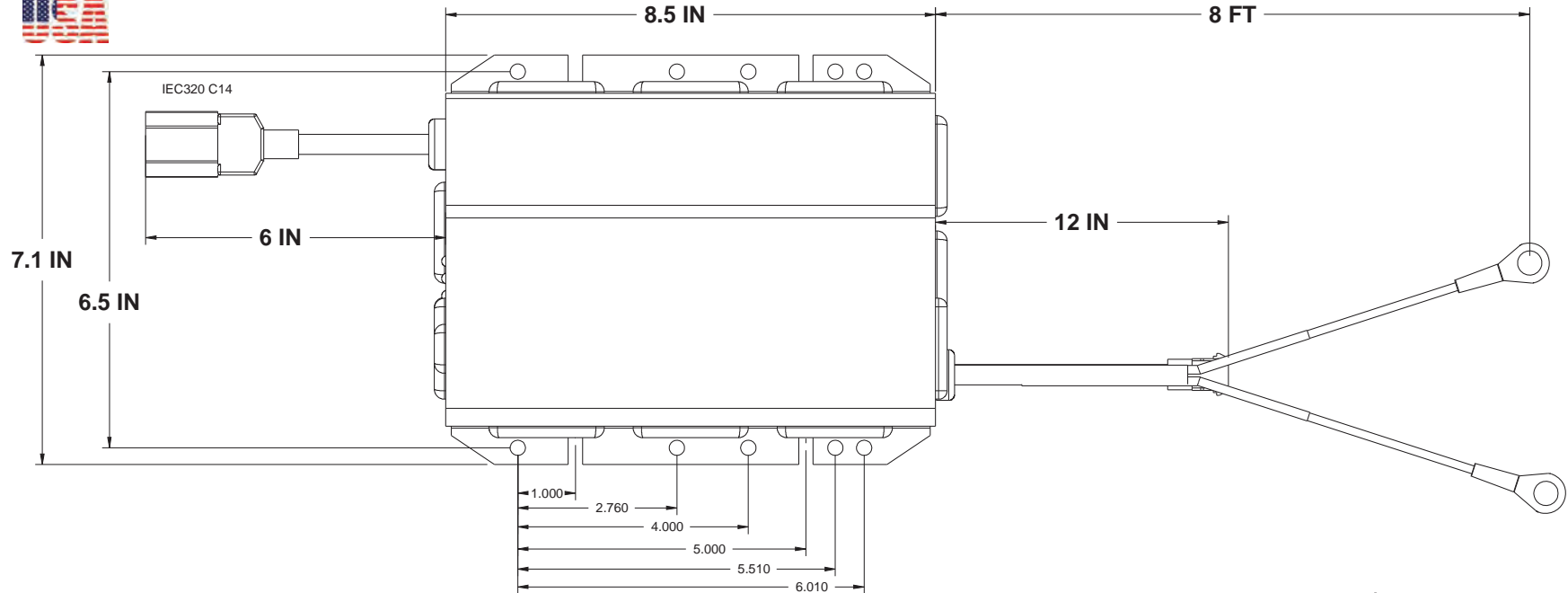


SIZE B	FSCM NO.	DWG NO.	REV A
SCALE	EAGLE PERFORMANCE LIFT		SHEET



i'2420BRMLIFT / i2425OBRLIFT / i4815OBRLIFT
 GENIE, SKYJACK, AND JLG E2 & E3 SERIES

REVISIONS				
ZONE	REV	DESCRIPTION	DATE	APPROVED
		REFERENCE ONLY	12/12/13	



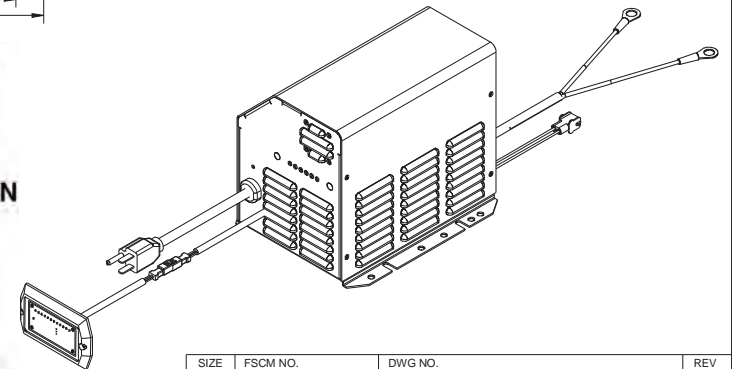
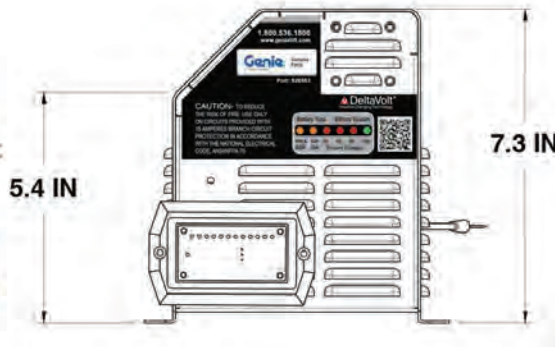
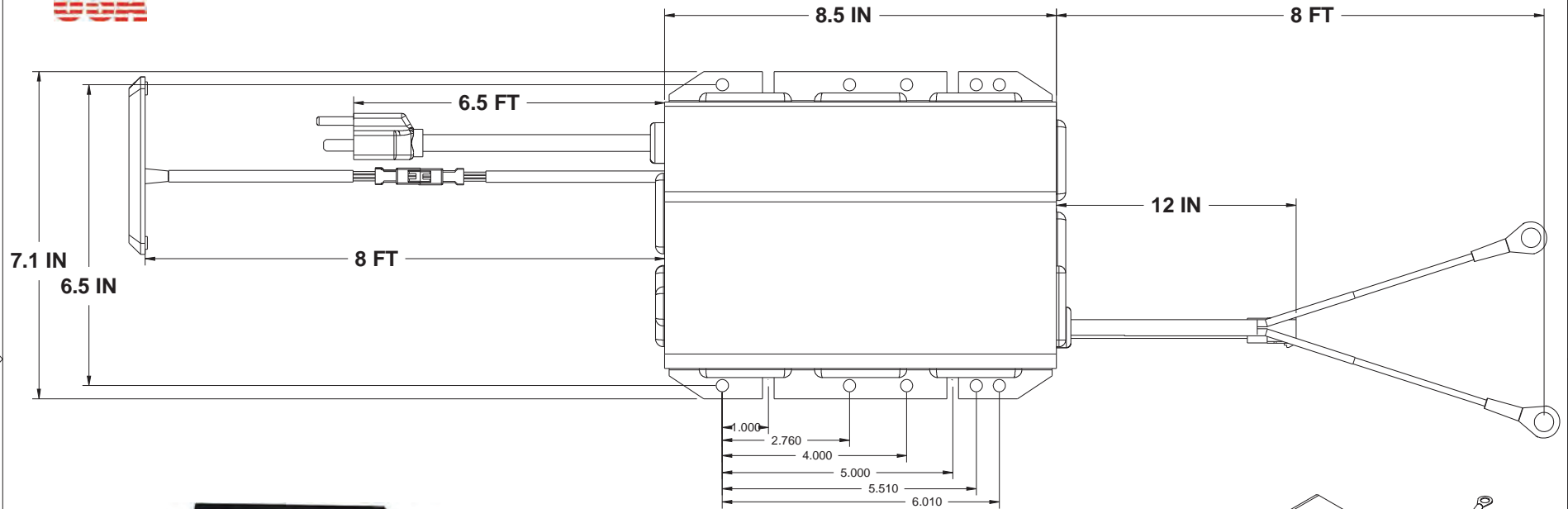
SIZE B	FSCM NO.	DWG NO.	REV
SCALE	EAGLE PERFORMANCE LIFTIEC		SHEET



i4815OBRMLIFTSPC

GENIE ARTICULATING Z-BOOMS

REVISIONS				
ZONE	REV	DESCRIPTION	DATE	APPROVED
	A	REFERENCE ONLY	12/12/13	



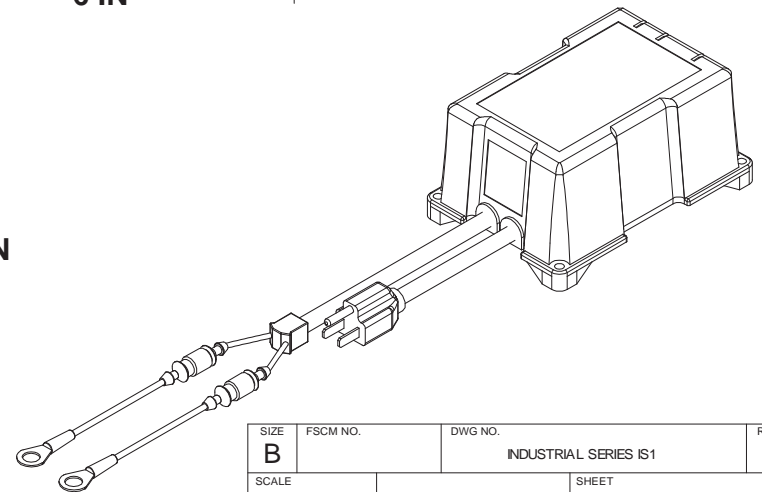
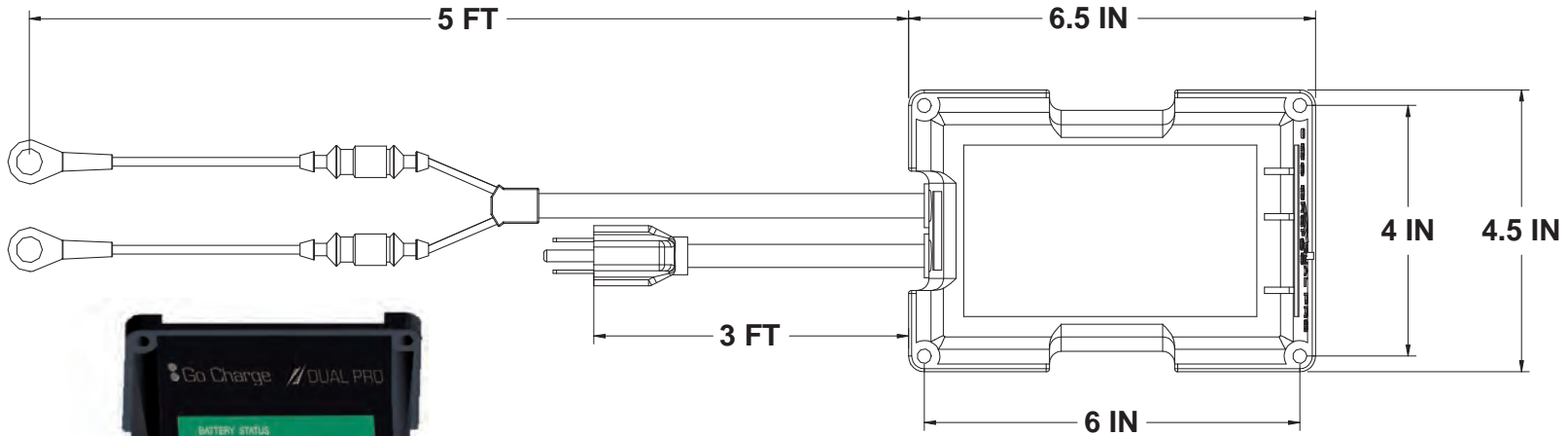
SIZE B	FSCM NO.	DWG NO. EAGLE PERFORMANCE OBRMLIFTSPC	REV A
SCALE			SHEET



INDUSTRIAL SERIES IS1

VARIOUS GENIE AND JLG UNITS

REVISIONS				
ZONE	REV	DESCRIPTION	DATE	APPROVED
	A	REFERENCE ONLY	01/20/11	

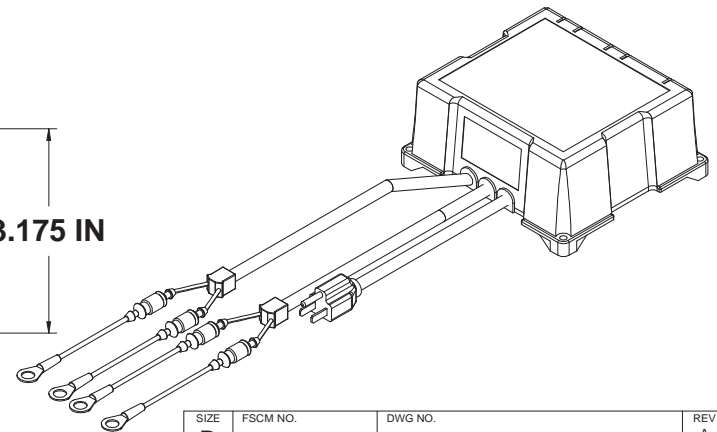
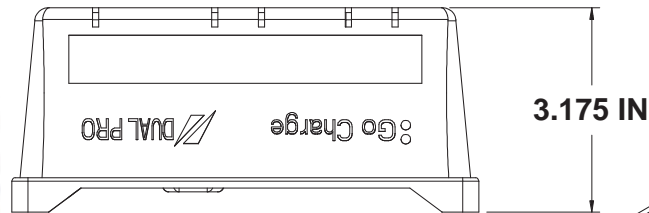
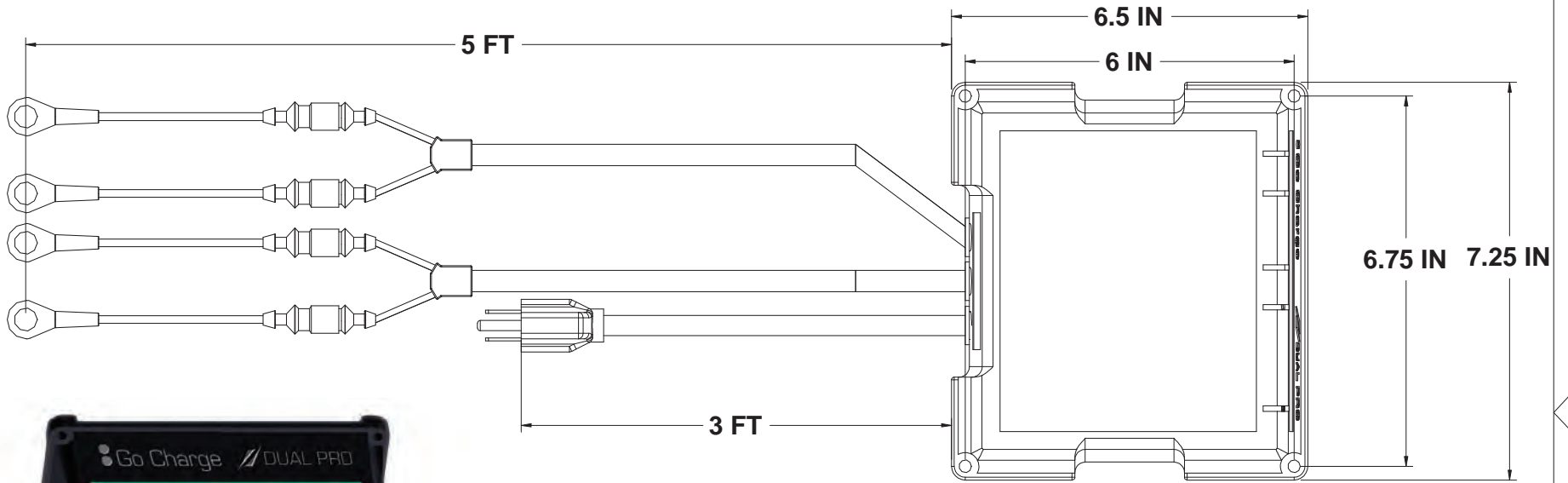


SIZE B	FSCM NO.	DWG NO. INDUSTRIAL SERIES IS1	REV A
SCALE		SHEET	



INDUSTRIAL SERIES IS2 VARIOUS GENIE AND JLG UNITS

REVISIONS				
ZONE	REV	DESCRIPTION	DATE	APPROVED
	A	REFERENCE ONLY	01/20/11	



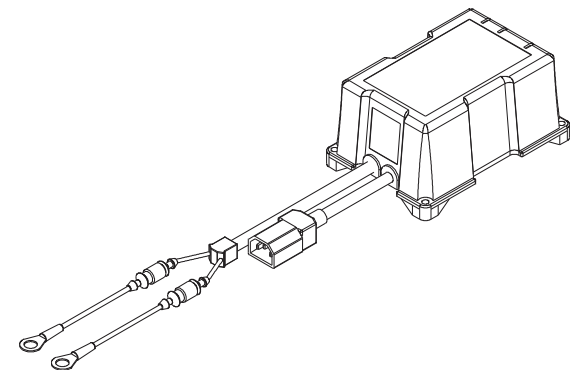
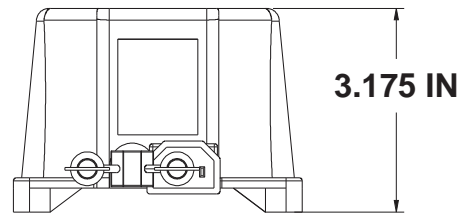
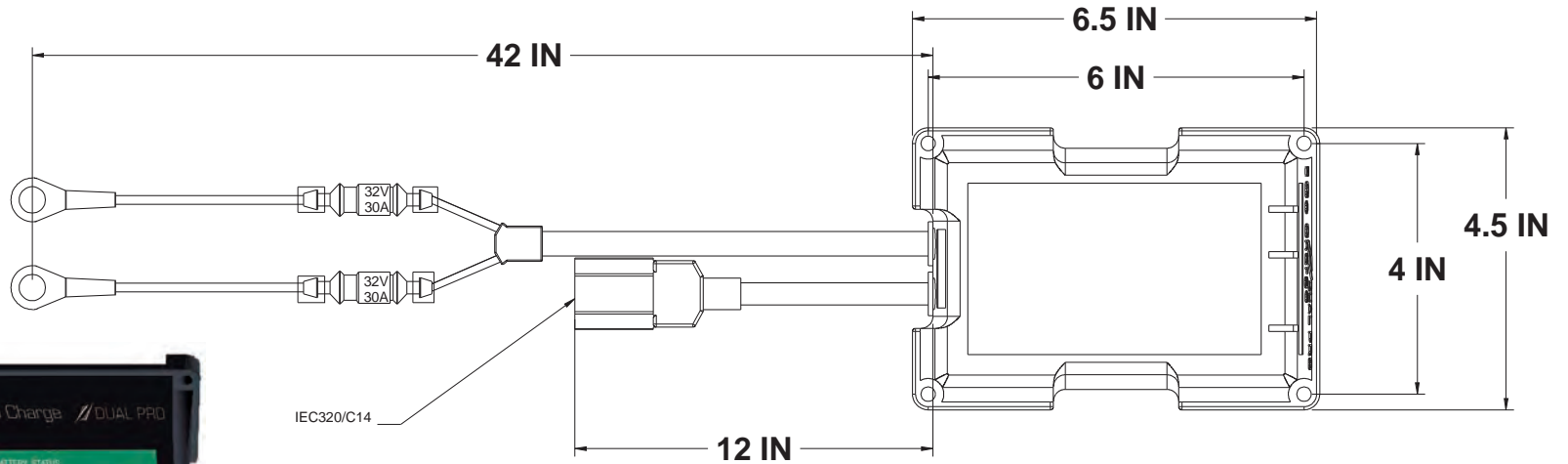
SIZE B	FSCM NO.	DWG NO. INDUSRIAL SERIES IS2	REV A
SCALE		SHEET	



IS1IECHYB

HY-BRID LIFTS HB-P830 / HB-P830CE

REVISIONS				
ZONE	REV	DESCRIPTION	DATE	APPROVED
	A	ORIGINAL	06/23/11	



SIZE B	FSCM NO.	DWG NO. IS1IECHYB	REV A
SCALE	SHEET		

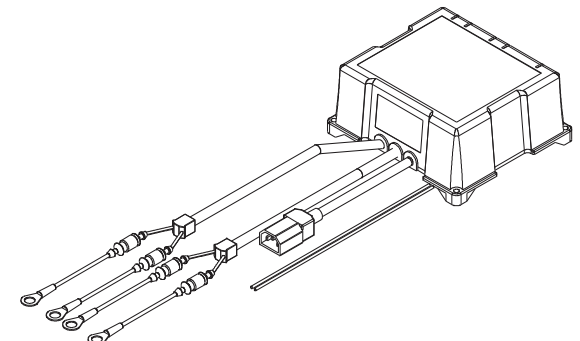
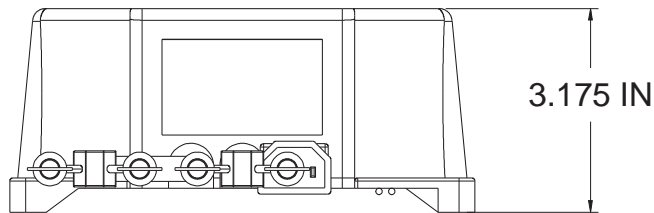
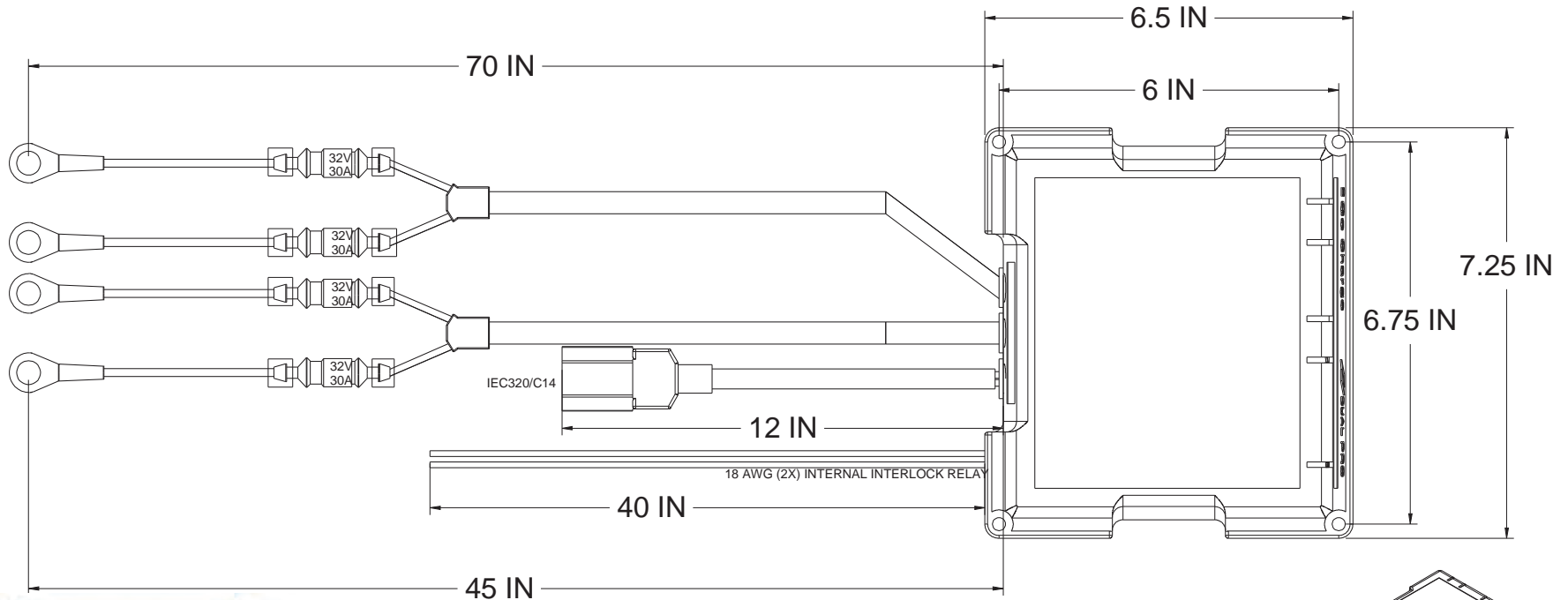


IS2IECHYB

VARIOUS HYBRID SELF-PROPELLED PLATFORM LIFTS

REVISIONS

ZONE	REV	DESCRIPTION	DATE	APPROVED
	A	ORIGINAL	05/07/12	

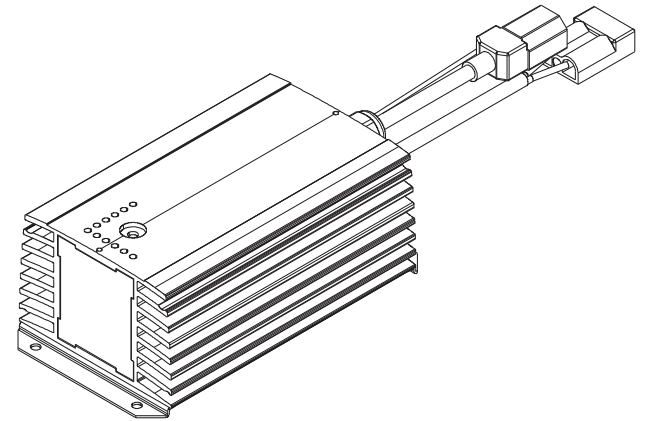
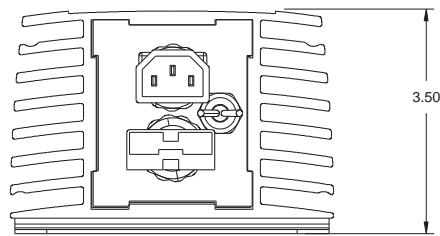
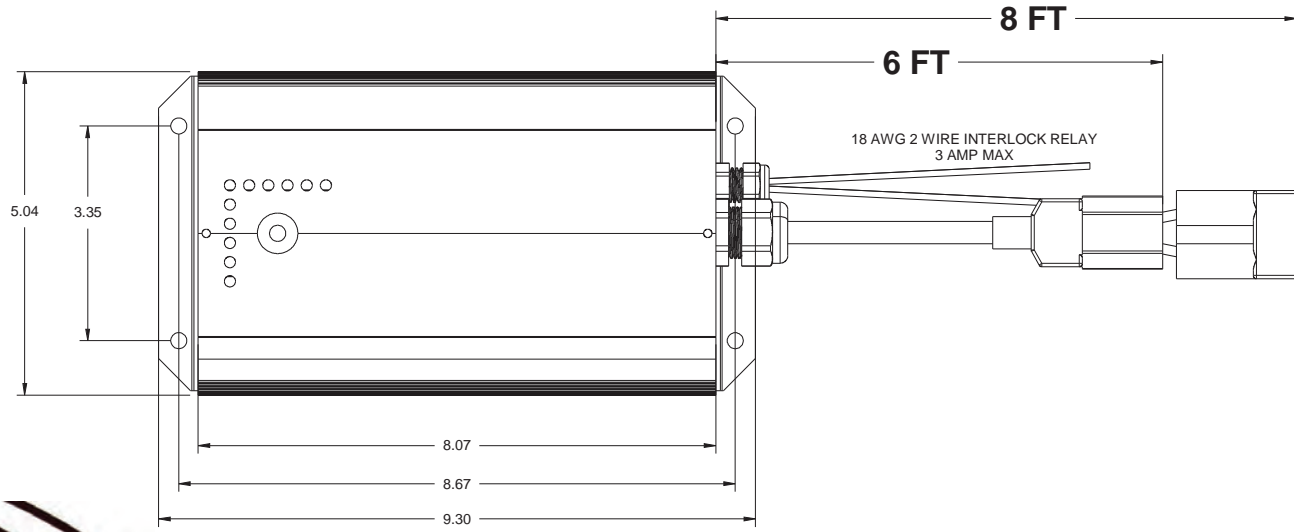


SIZE B	FSCM NO.	DWG NO. IS2IECHYB	REV A
SCALE			SHEET



TPS1215OBRMIECTEN TENNANT T1B

REVISIONS				
ZONE	REV	DESCRIPTION	DATE	APPROVED
	A	REFERENCE ONLY	10/13/14	

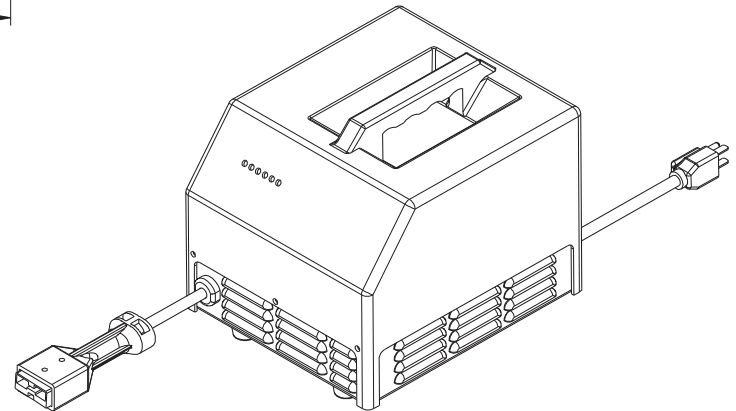
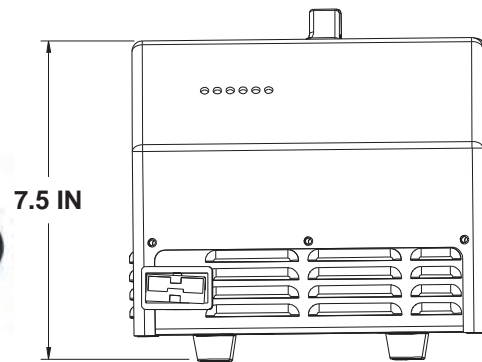
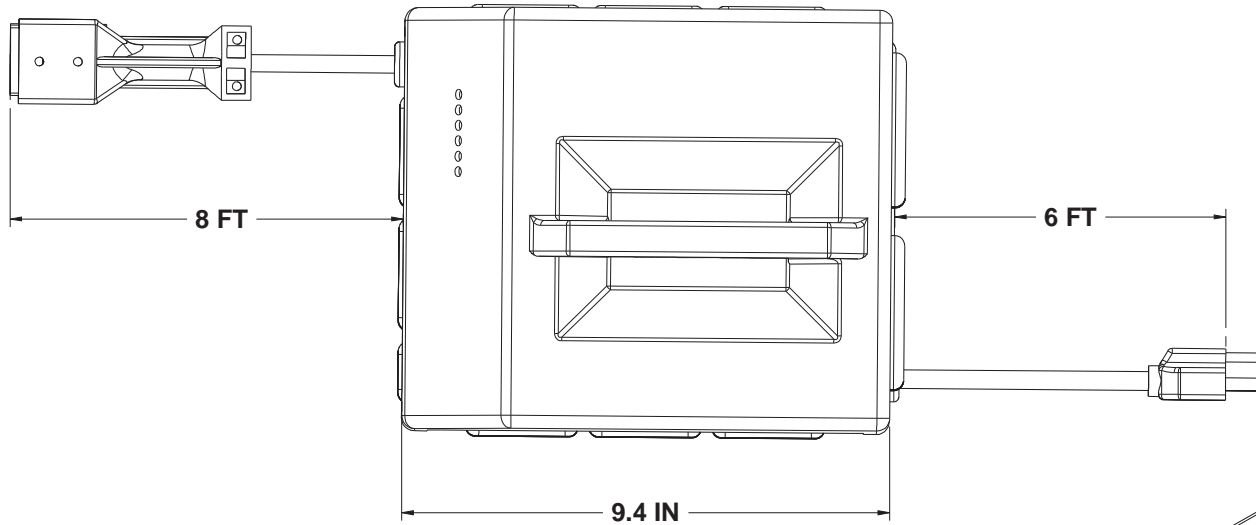


SIZE B	FSCM NO.	DWG NO. TPS1215OBRMIECTEN	REV A
SCALE	SHEET		



i1215RMTEN TENNANT T1B

REVISIONS				
ZONE	REV	DESCRIPTION	DATE	APPROVED
	A	REFERENCE ONLY	10/15/14	

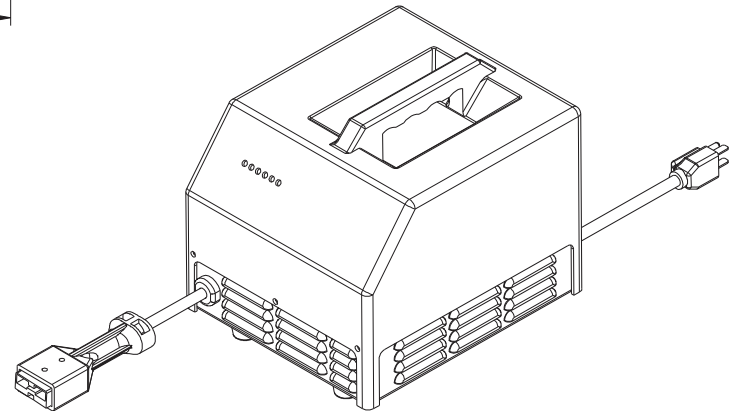
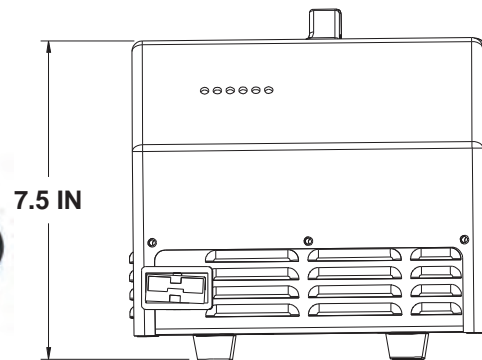
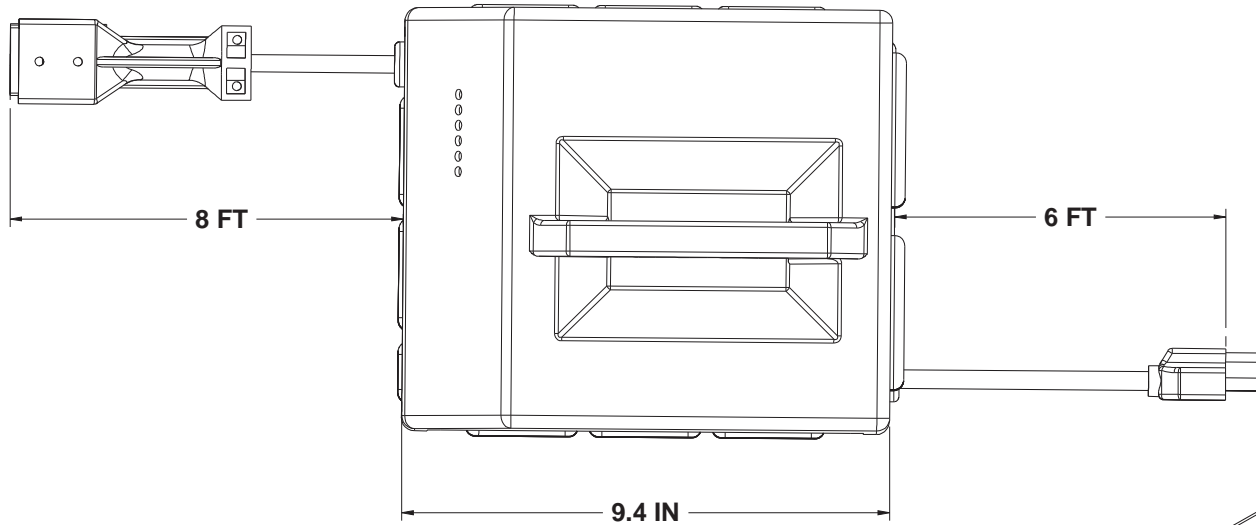


SIZE B	FSCM NO.	DWG NO. i1215RMTEN	REV A
SCALE			SHEET



i1215RMLITHTEN TENNANT T1B LITHIUM

REVISIONS				
ZONE	REV	DESCRIPTION	DATE	APPROVED
	A	REFERENCE ONLY	10/15/14	

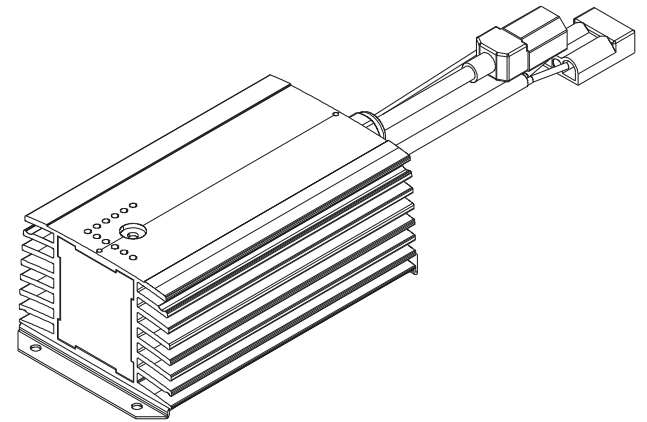
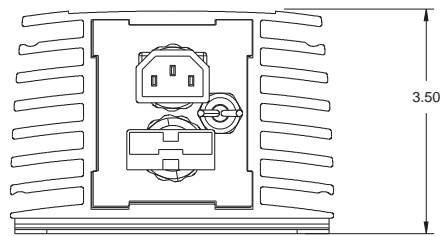
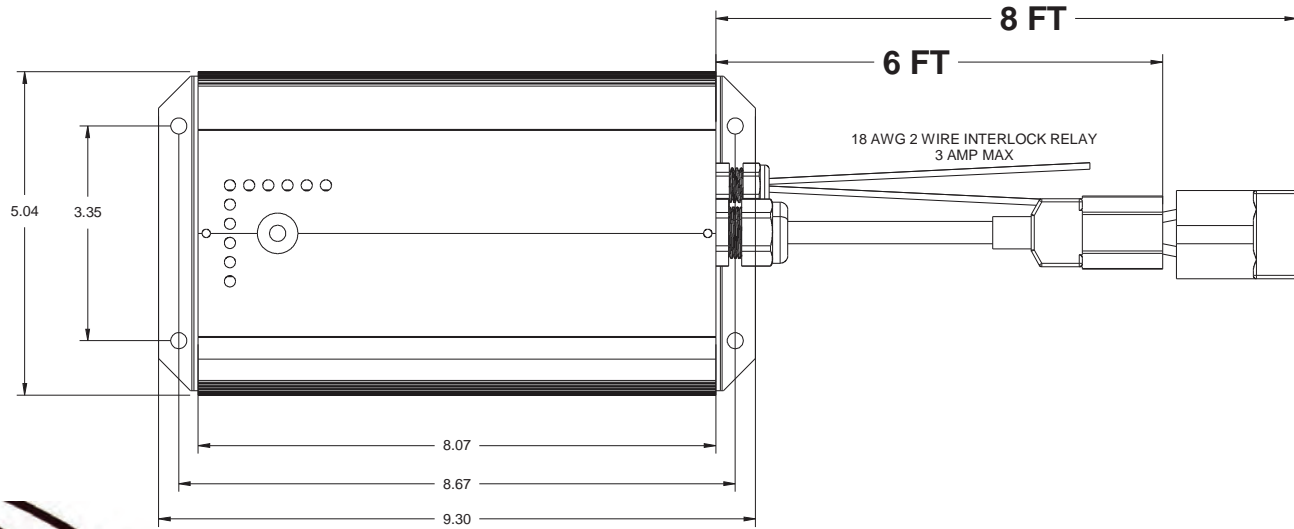


SIZE B	FSCM NO.	DWG NO. i1215RMLITHTEN	REV A
SCALE		SHEET	



TPS2412OBRMIECTEN TENNANT T2, T3 AND T3+

REVISIONS				
ZONE	REV	DESCRIPTION	DATE	APPROVED
	A	REFERENCE ONLY	10/13/14	

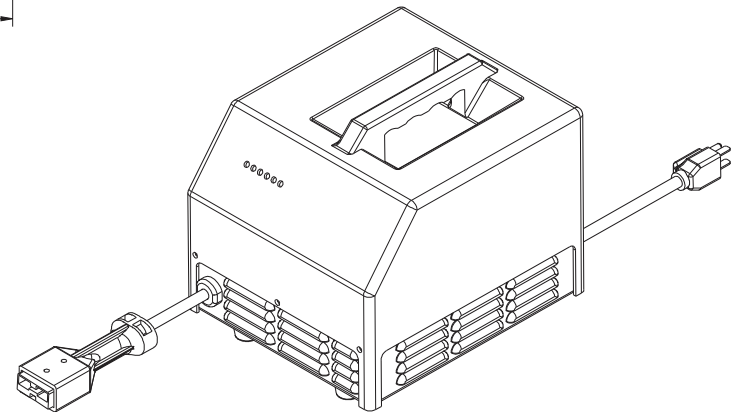
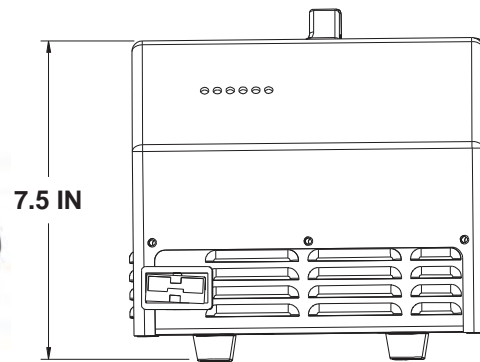
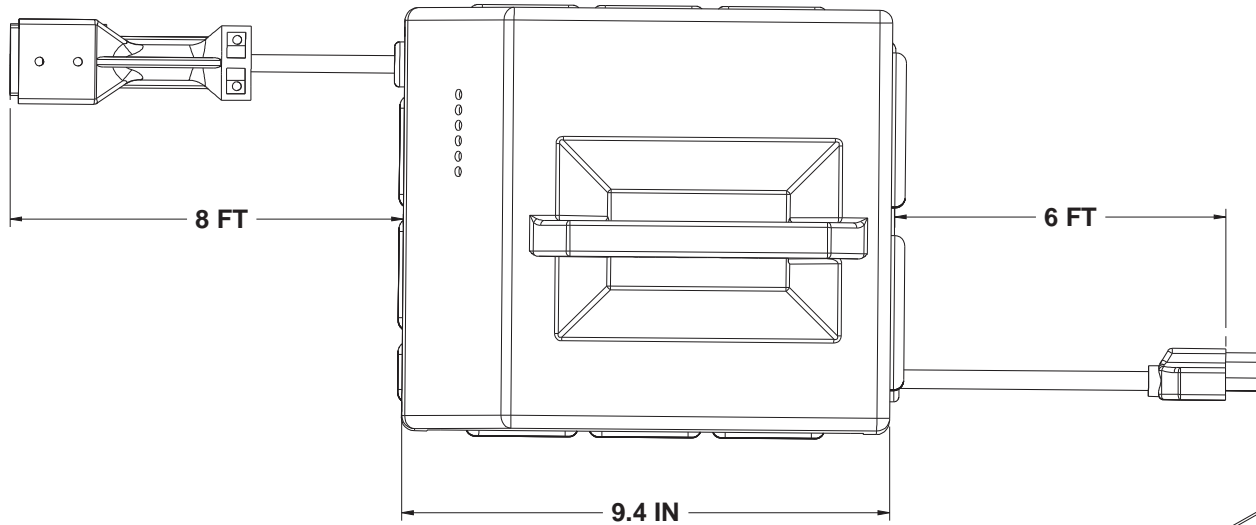


SIZE B	FSCM NO.	DWG NO. TPS2412OBRMIECTEN	REV A
SCALE	SHEET		



i2412RMTEN TENNANT T3 AND T3+

REVISIONS				
ZONE	REV	DESCRIPTION	DATE	APPROVED
	A	REFERENCE ONLY	10/15/14	

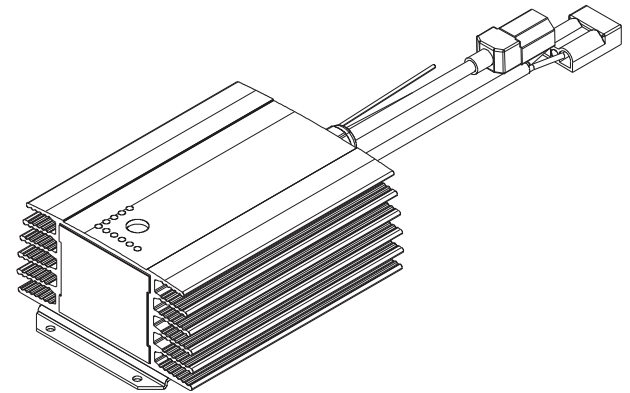
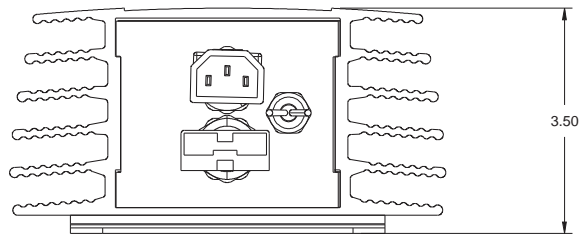
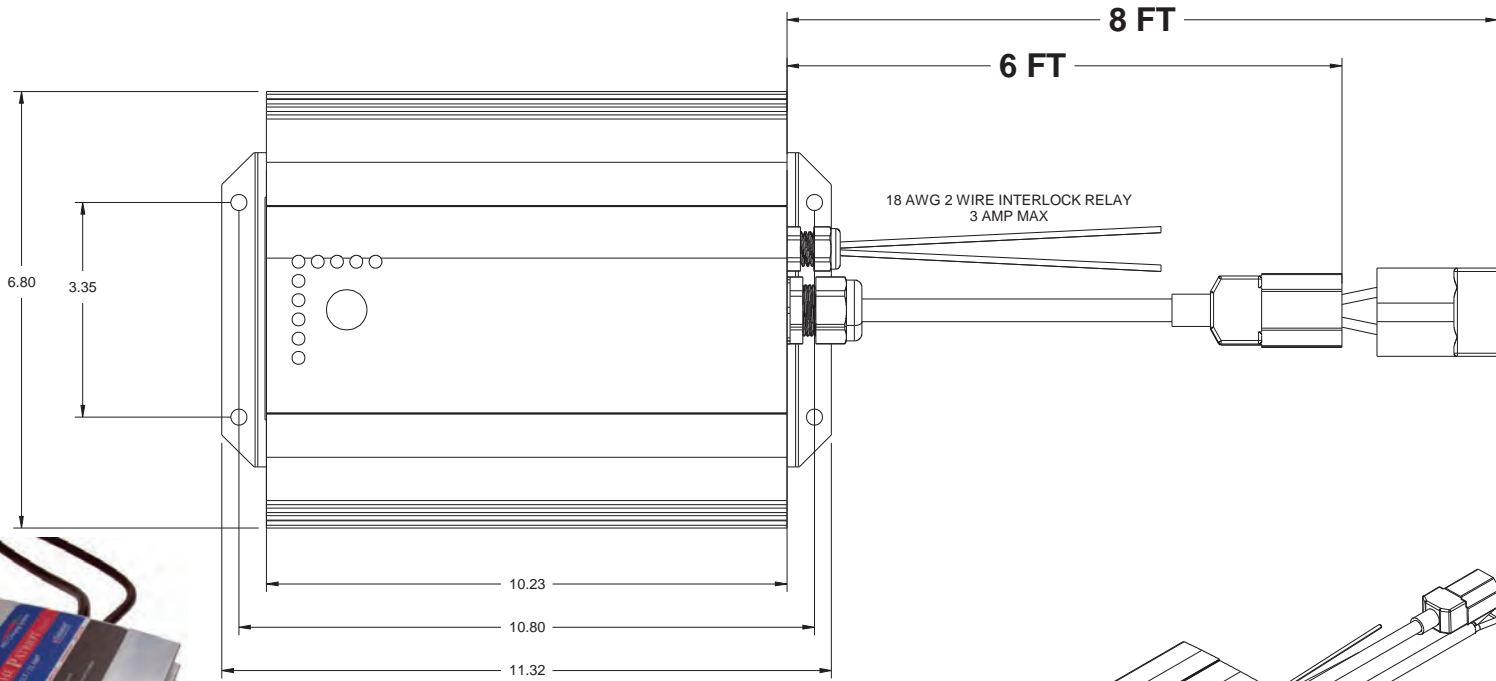


SIZE B	FSCM NO.	DWG NO. i2412RMTEN	REV A
SCALE		SHEET	



TPS2420OBRMIECTEN TENNANT T5

REVISIONS				
ZONE	REV	DESCRIPTION	DATE	APPROVED
	A	REFERENCE ONLY	10/13/14	

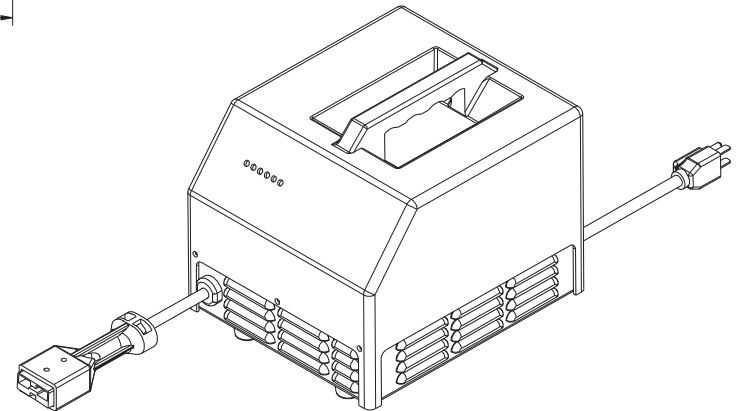
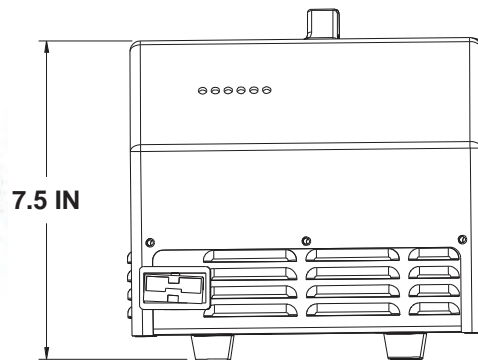
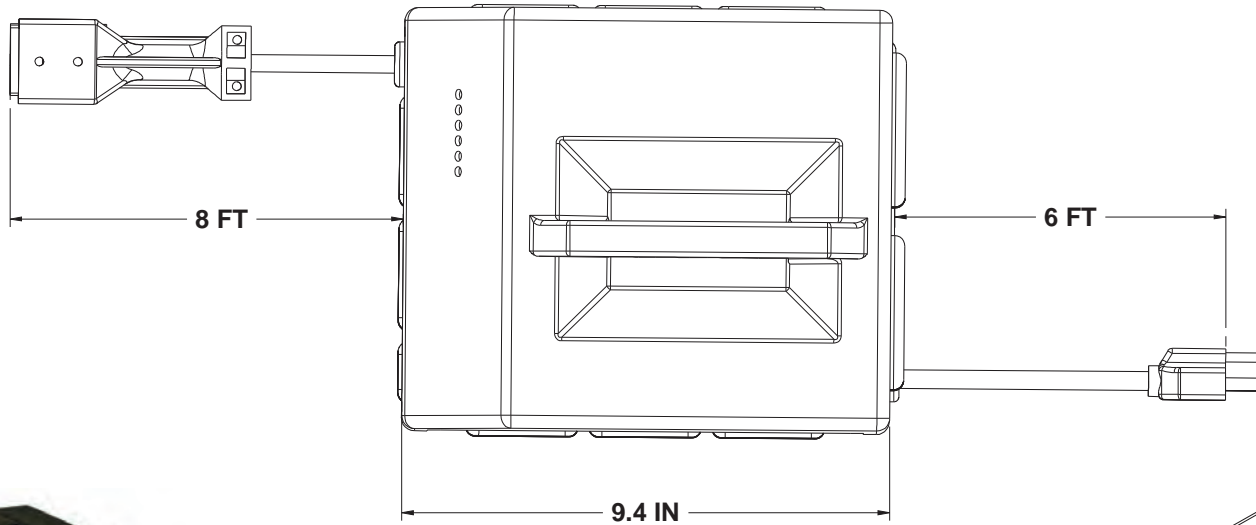


SIZE B	FSCM NO.	DWG NO. TPS2420OBRMIECTEN	REV A
SCALE			SHEET



i3620RMTEN / i3625RMTEN
TENNANT 5680 AND 5700

REVISIONS				
ZONE	REV	DESCRIPTION	DATE	APPROVED
	A	REFERENCE ONLY	10/15/14	

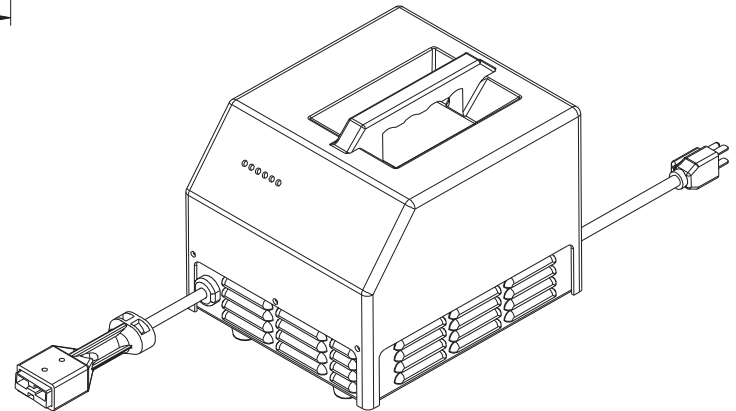
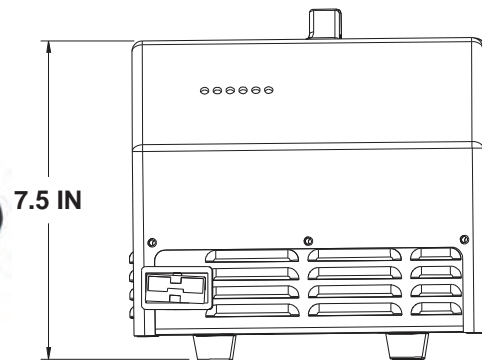
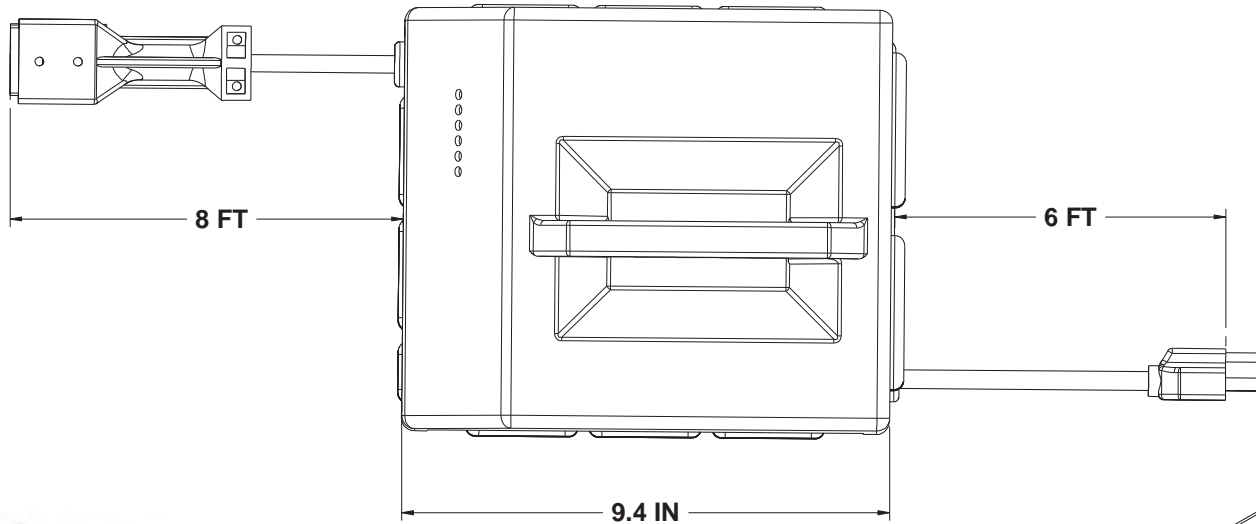


SIZE B	FSCM NO.	DWG NO. i2412_20_25_RMTEN	REV A
SCALE			SHEET



**i2412RMTEN / i2420RMTEN / i2425RMUTEN / i2425RMTEN
TENNANT T5 , 3640E AND 5280**

REVISIONS				
ZONE	REV	DESCRIPTION	DATE	APPROVED
	A	REFERENCE ONLY	10/15/14	

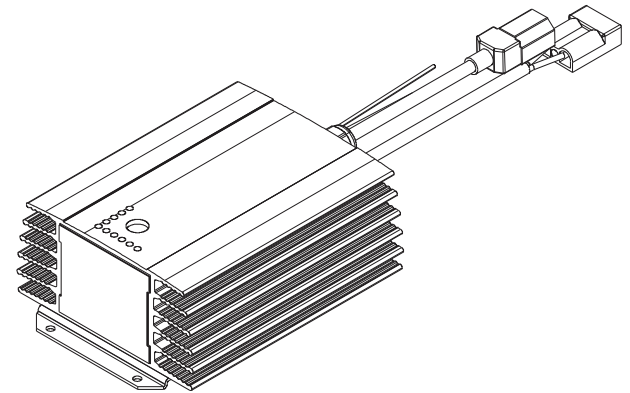
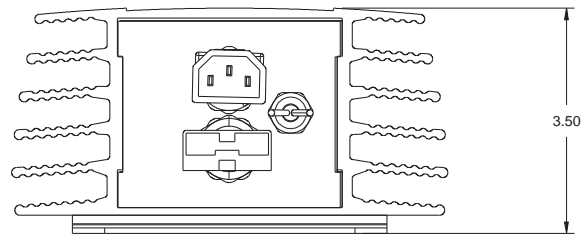
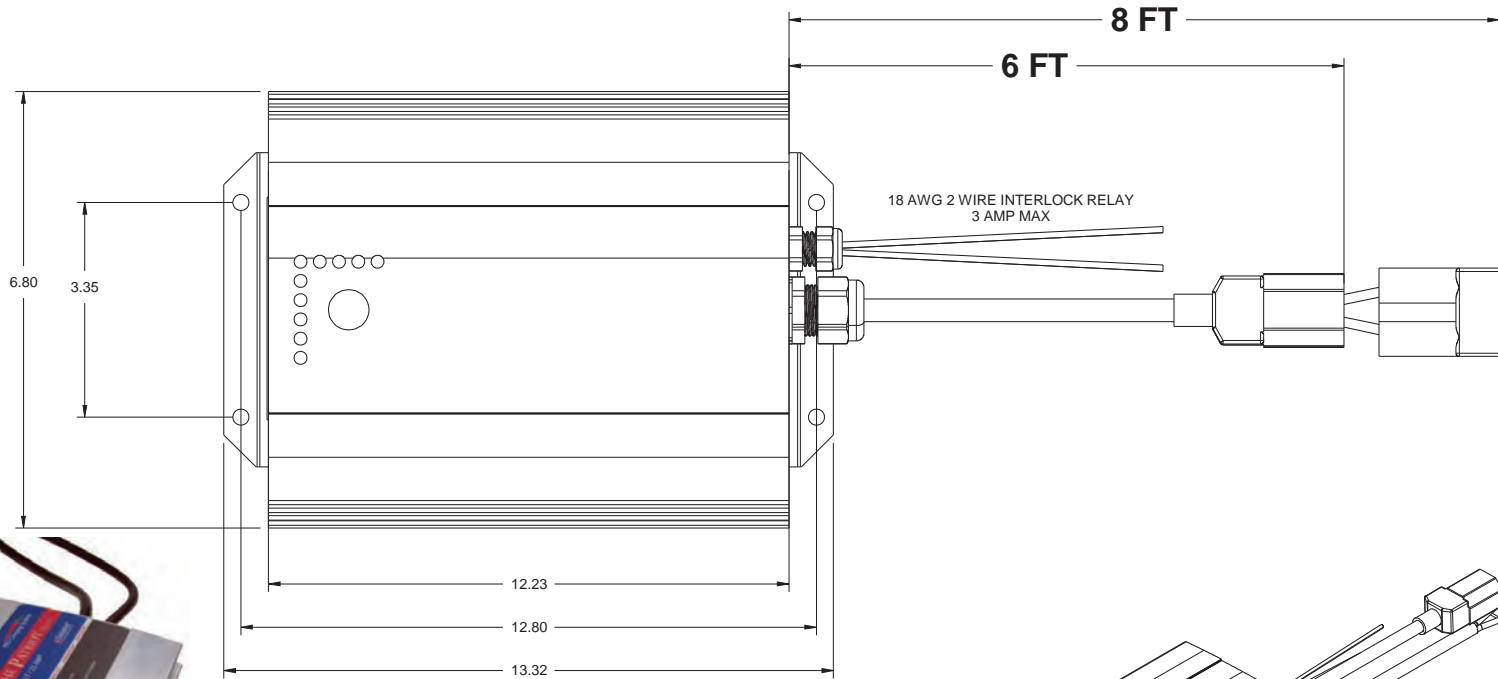


SIZE B	FSCM NO.	DWG NO. i2412_20_25_RMTEN	REV A
SCALE		SHEET	



TPS3620OBRMIECTEN / TPS3620OBRMIECGELTEN / TPS3625OBRMIECTEN
TENNANT 5680 AND 5700

REVISIONS				
ZONE	REV	DESCRIPTION	DATE	APPROVED
	A	REFERENCE ONLY	10/13/14	

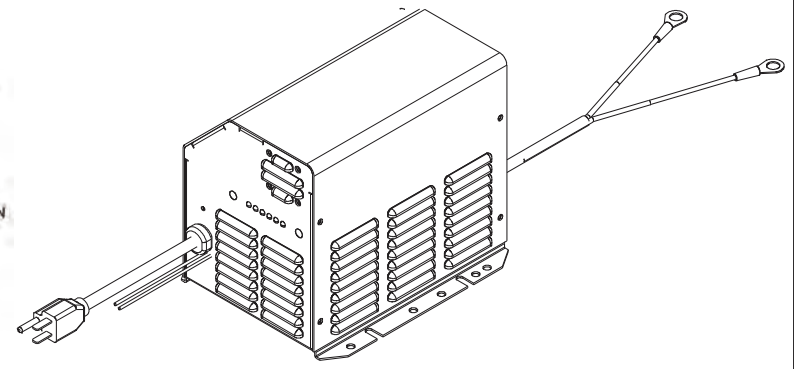
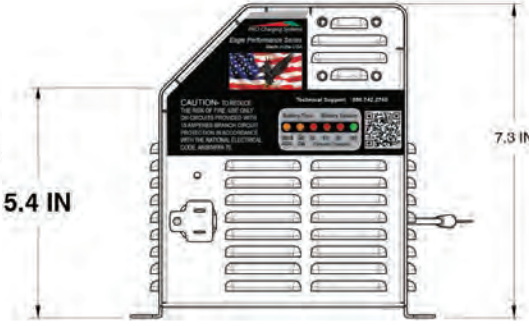
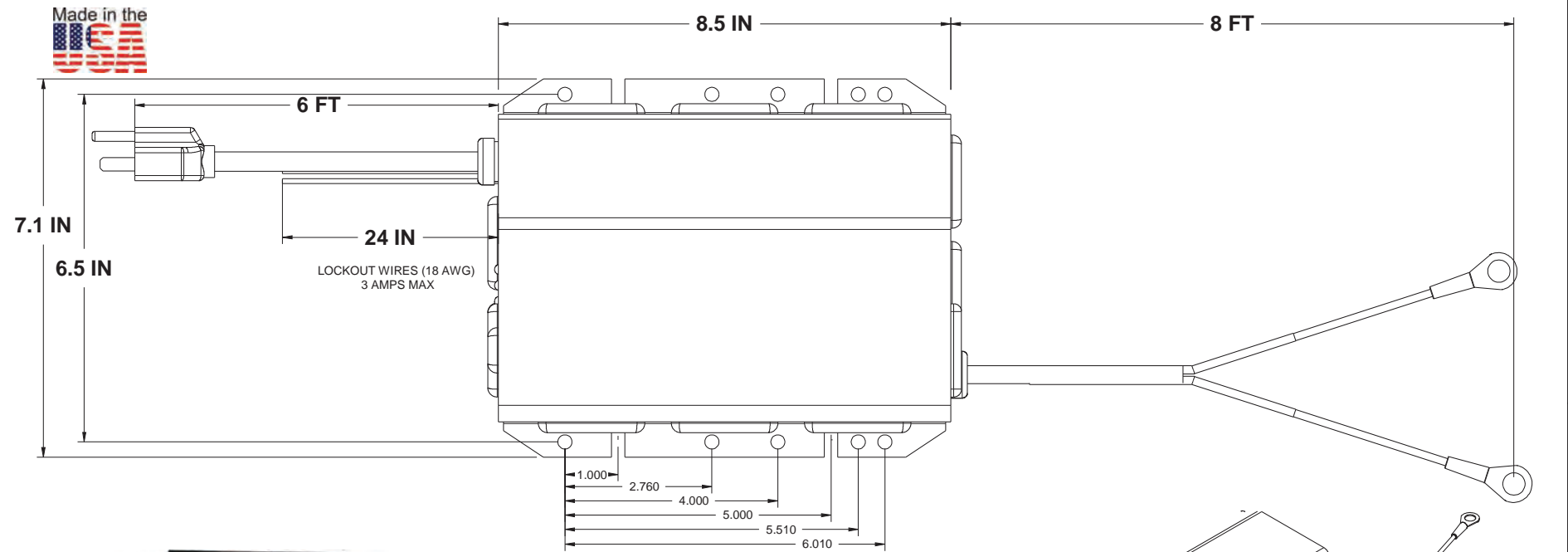


SIZE B	FSCM NO.	DWG NO. TPS3620_3625_OBRMIECTEN	REV A
SCALE			SHEET



i3620BRMLIFTDANEQK DANE QUICKART M3-HD

REVISIONS				
ZONE	REV	DESCRIPTION	DATE	APPROVED
	A	REFERENCE ONLY	12/12/13	

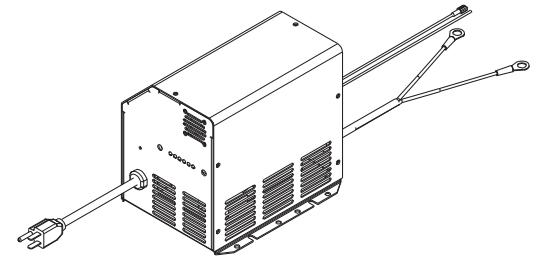
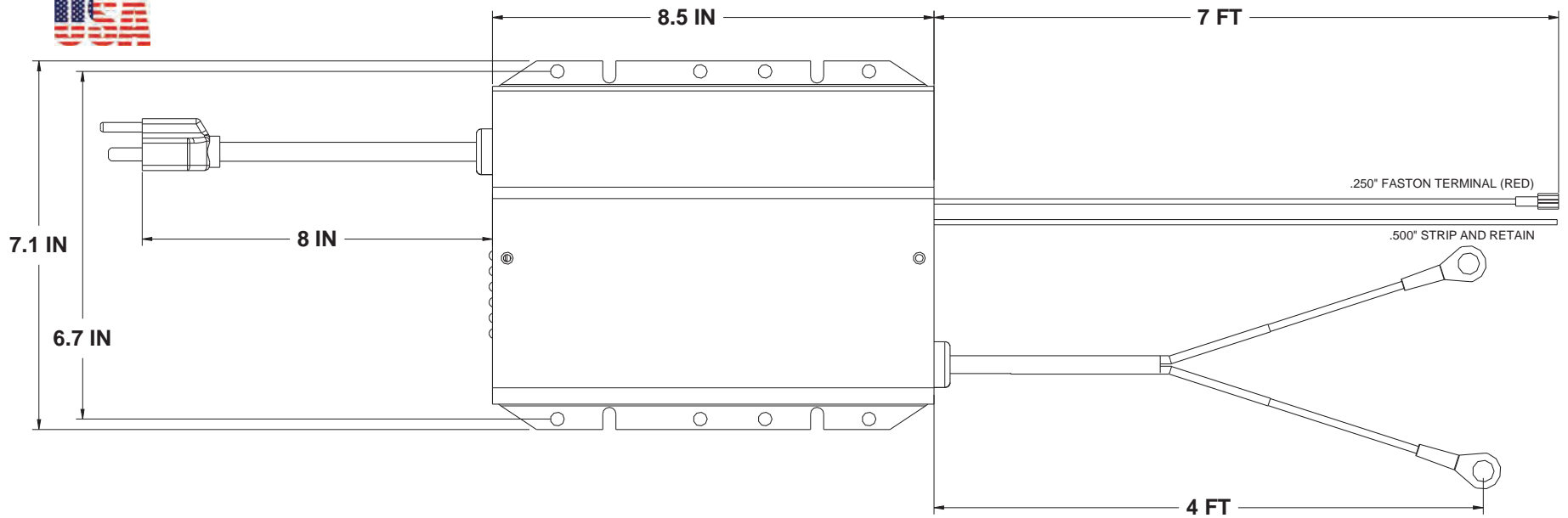


SIZE B	FSCM NO.	DWG NO. I3620BRMLIFTDANEQK	REV A
SCALE	SHEET		



**i2420OBRMLIFTMEC / i2425OBRMLIFTMEC
MEC 1932ES**

REVISIONS				
ZONE	REV	DESCRIPTION	DATE	APPROVED
	A	REFERENCE ONLY	04/29/13	



SIZE B	FSCM NO.	DWG NO.	REV A
SCALE	EAGLE PERFORMANCE LIFTMEC		SHEET



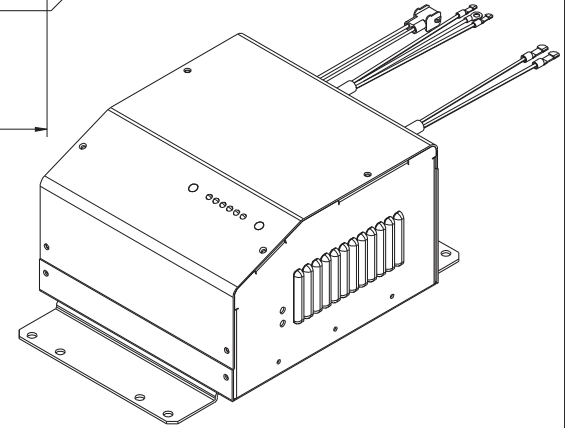
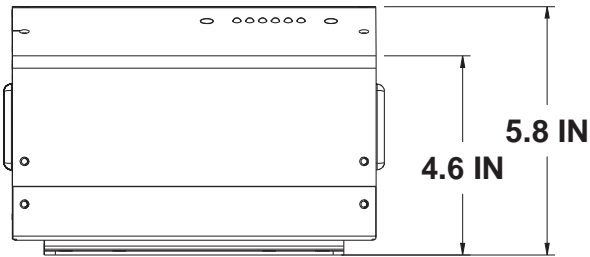
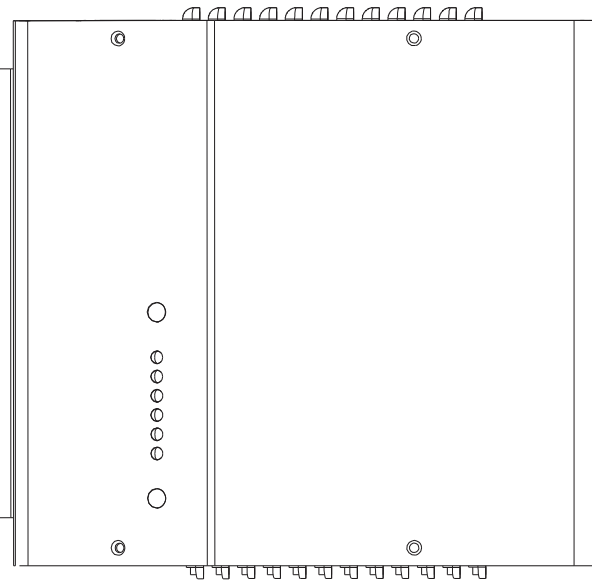
i2425OBRMTD / i3625OBRMTD / i4818OBRMTD
TAYLOR DUNN MODEL

REVISIONS				
ZONE	REV	DESCRIPTION	DATE	APPROVED
A		REFERENCE ONLY	04/17/12	



PCS P/N 30168 (2X)

6.0 IN 3.5 IN



SIZE B	FSCM NO.	DWG NO. EAGLE PERFORMANCE OBRMTD	REV A
SCALE	SHEET		



Battery Type Battery System
Red Red Red Red Green
Wet Gel AGM AGM VRLA
Wet Gel AGM AGM VRLA
Permit Charge



Eagle Performance SERIES
24 VOLT / 25 AMP

Model 24250B

INPUT: 115 VAC 60 HZ MAXIMUM OUTPUT: 25A @ 24VDC
FOR USE WITH LEAD-ACID, VRLA, GEL, OR GEL-AG BATTERIES
BATTERIES OF 100 TO 200 AMPERE-HOURS (20 AMPHOURS TO 2000)

Manufactured by: PRO Charging Systems, LLC
800 742 2746

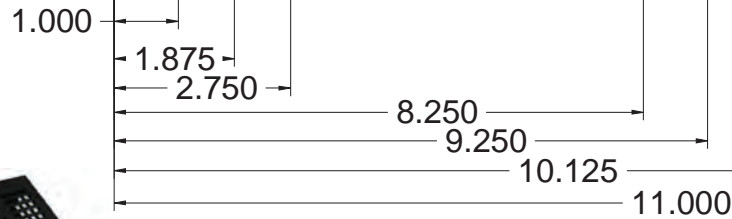
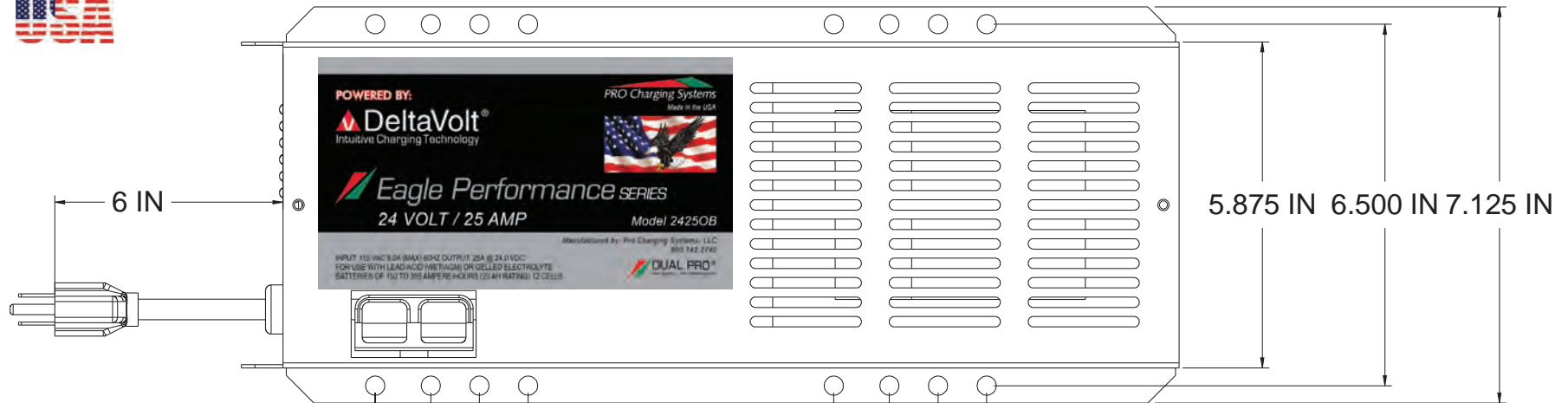




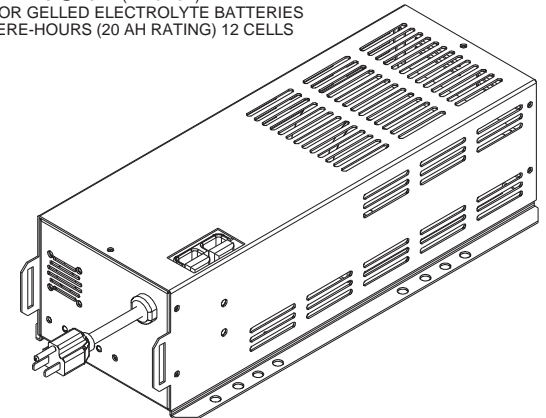
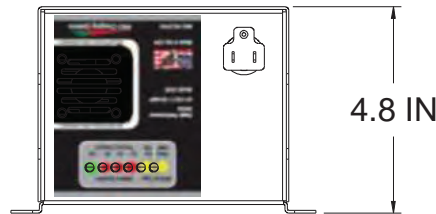
i2420OBRMBPS / i2425OBRMBPS

BATTERY PACK UNIT SIDE SB175

REVISIONS				
ZONE	REV	DESCRIPTION	DATE	APPROVED
	A	REFERENCE ONLY	05/07/12	



EAGLE PERFORMANCE SERIES BATTERY CHARGER
 INPUT: (2425)115VAC @ 8.0A (MAX)-(2420 7.0 MAX)
 OUTPUT: (2425) 24VDC @ 25A - (2420 20A)
 WET CELL/AGM OR GELLED ELECTROLYTE BATTERIES
 150 TO 395 AMPERE-HOURS (20 AH RATING) 12 CELLS

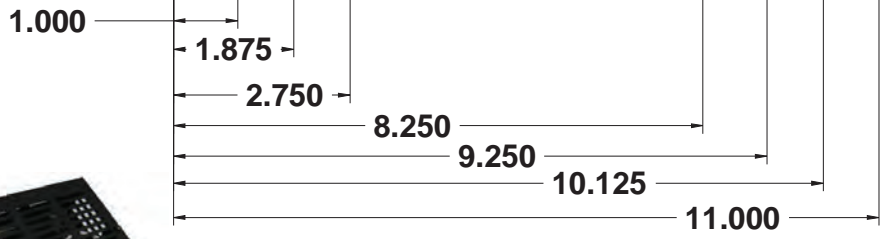


SIZE B	FSCM NO.	DWG NO. 2420OBRMBPS / 2425OBRMBPS	REV A
SCALE		SHEET	

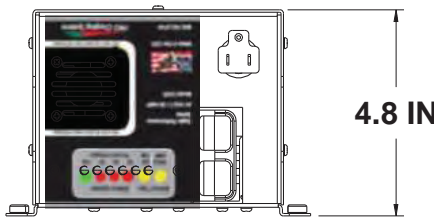
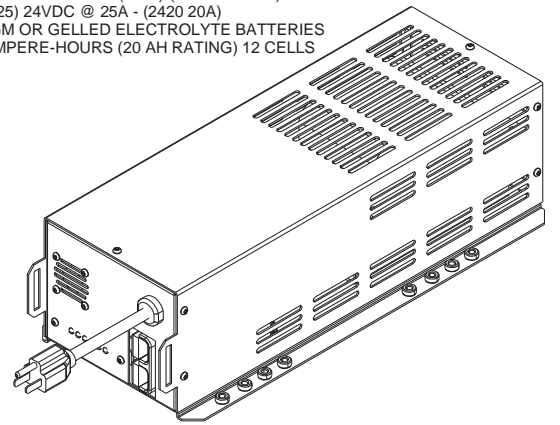


i2420OBRMBPT / i2425OBRMBPT
BATTERY PACK UNIT TOP SB175

REVISIONS				
ZONE	REV	DESCRIPTION	DATE	APPROVED
	A	REFERENCE ONLY	01/19/11	



EAGLE PERFORMANCE SERIES BATTERY CHARGER
 INPUT: (2425)115VAC @ 8.0A (MAX)-(2420 7.0 MAX)
 OUTPUT: (2425) 24VDC @ 25A - (2420 20A)
 WET CELL/AGM OR GELLED ELECTROLYTE BATTERIES
 150 TO 395 AMPERE-HOURS (20 AH RATING) 12 CELLS



SIZE B	FSCM NO.	DWG NO. EAGLE PERFORMANCE OBRMBPT	REV A
SCALE			SHEET



POWERED BY:
DeltaVolt
Intuitive Charging Technology

PRO Charging Systems
Made in the USA



Eagle Performance Series
24 VOLT / 25 AMP

Model 24250B

Manufactured by Pro Charging Systems, LLC
800.747.2740



INPUT: 115 VAC 8.0A (MAX) 60HZ OUTPUT: 25A @ 24.0 VDC
FOR USE WITH LEAD-ACID (WET/AGM) OR GELLED ELECTROLYTE
BATTERIES OF 150 TO 395 AMPERE-HOURS (20 AH RATING) 12 CELLS

DELTA VOLT SYSTEMS, LLC
115 VAC 8.0A (MAX) 60HZ OUTPUT: 25A @ 24.0 VDC

CHARGE RATE SELECTOR

12V 20A (MAX) 100%
12V 25A (MAX) 100%
12V 25A (MAX) 75%
12V 25A (MAX) 50%
12V 25A (MAX) 25%

12V 25A (MAX) 100%
12V 25A (MAX) 75%
12V 25A (MAX) 50%
12V 25A (MAX) 25%

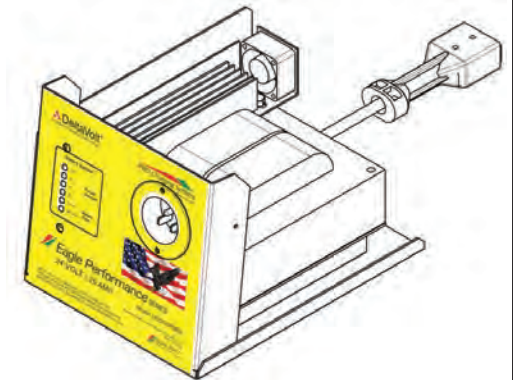
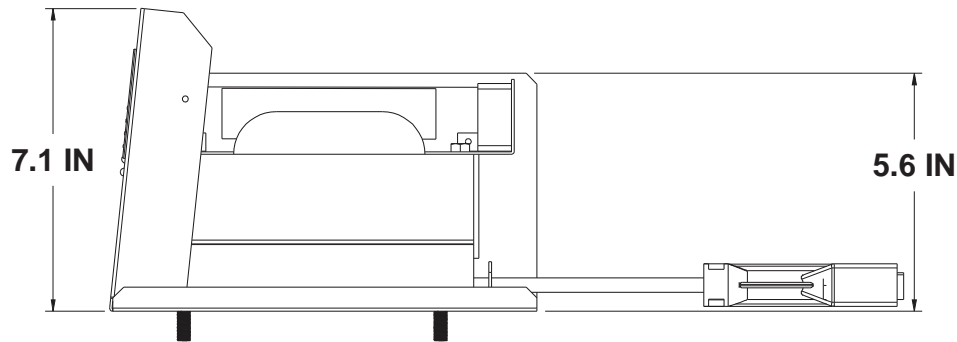
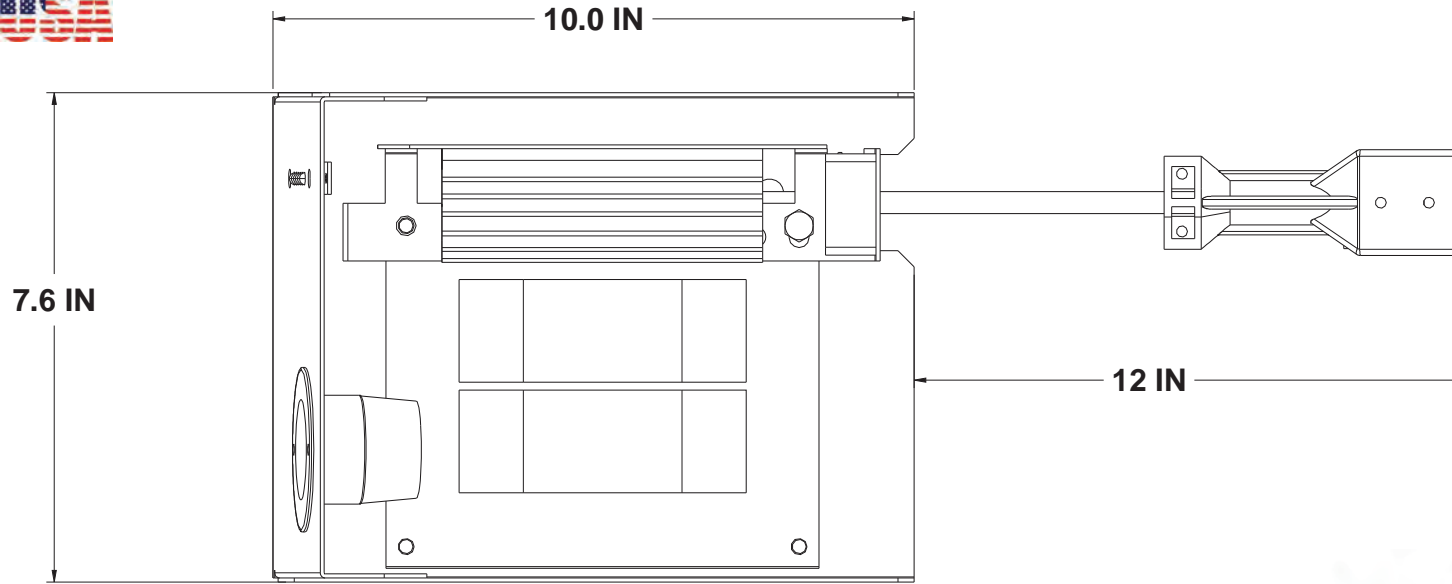
12V 25A (MAX) 100%
12V 25A (MAX) 75%
12V 25A (MAX) 50%
12V 25A (MAX) 25%

12V 25A (MAX) 100%
12V 25A (MAX) 75%
12V 25A (MAX) 50%
12V 25A (MAX) 25%



i2425OBRMBL BIG LIFT (BIG JOE) UNIT

REVISIONS				
ZONE	REV	DESCRIPTION	DATE	APPROVED
	A	REFERENCE ONLY	12/20/09	







SIZE B	FSCM NO.	DWG NO. i2425OBRMBL	REV A
SCALE	SHEET		

DeltaVolt[®]
Intuitive Charging Technology

PRO Charging Systems
MADE IN THE USA

Battery System

	100%	Percent Charged
	90%	
	80%	Battery Type
	70%	
	60%	
	50%	
	40%	
	30%	



Eagle Performance SERIES
24 VOLT / 25 AMP

Model 2425QBMBL

INPUT: 115 VAC 60 HZ 15A 150W OUTPUT: 25A @ 24 VDC
FOR USE WITH LEAD-ACID, Ni-CAD, OR GELLED ELECTROLYTE
BATTERIES OF 150 TO 300 AMP-HOURS OR 6V/12V/12 CELLS

Manufactured by: Pro Charging Systems, LLC
800-743-2740

DUAL PRO[®]
Intuitive Charging Technology

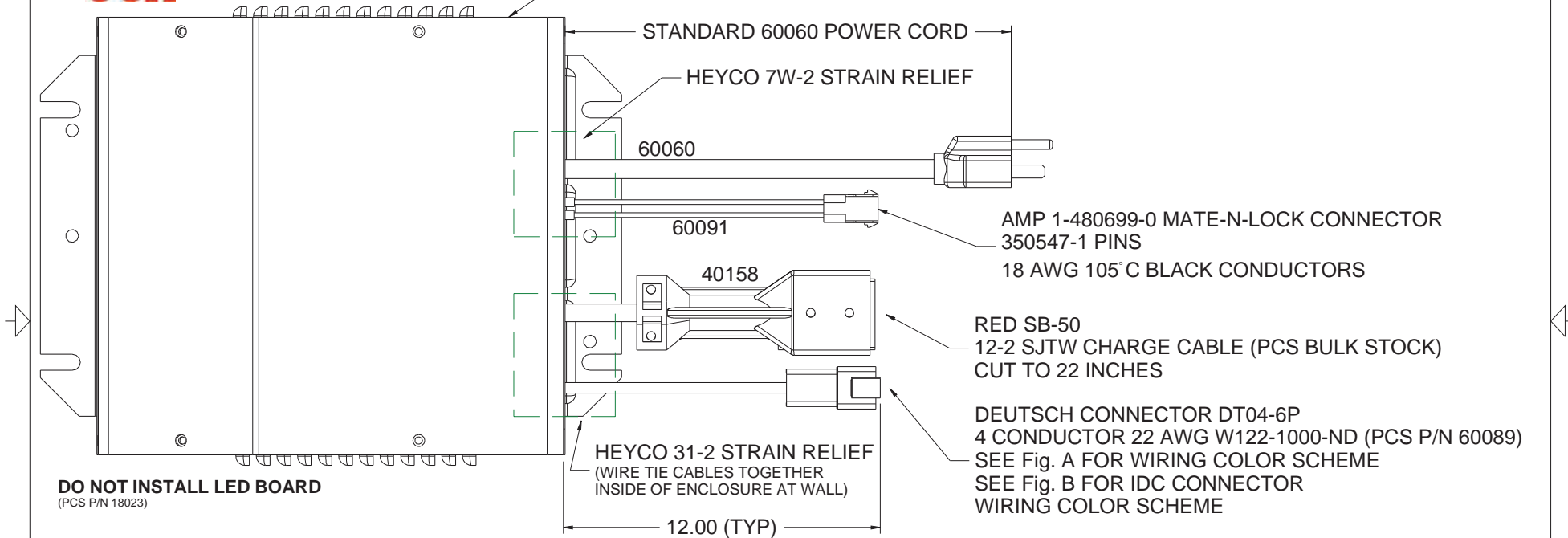
JLG REMOTE LED CONNECTOR DETAIL

REVISIONS

ZONE	REV	DESCRIPTION	DATE	APPROVED
	A	ORIGINAL	07/29/11	



HASCO RELAY P/N 903CSAC120
MOUNTED TO SIDE WALL OF 30145 BOTTOM ENCLOSURE
USE DRILL TEMPLATE TO LOCATE AND DRILL HOLES
SEE RELAY "2425PBRMLIFT RELAY INSTALL" DRAWING FOR DETAILS



DO NOT INSTALL LED BOARD
(PCS P/N 18023)

IDC CONNECTOR WIRING SCHEME
BLACK CONDUCTOR SOLDERS TO 18039_A PCB
AT POSITION K1 ON BACK (RELAY LOADED IN PCB)
(STRIP 1/8" (ESTIMATE) AND TIN BEFORE SOLDERING
TO RELAY PIN ON BACK SIDE OF PCB AT K1)

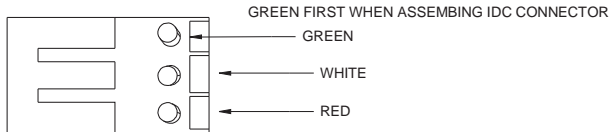
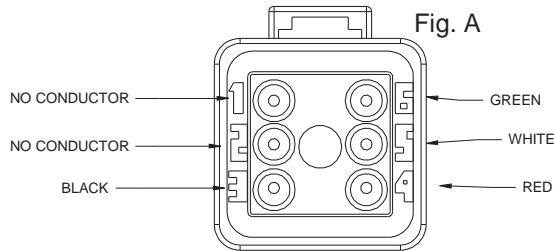


Fig. B

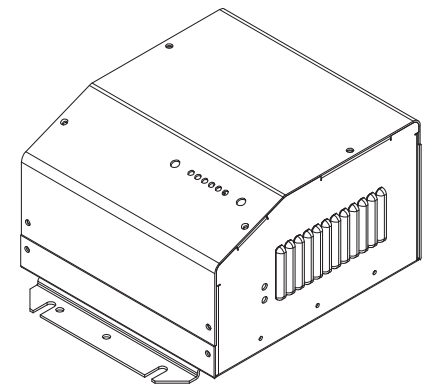
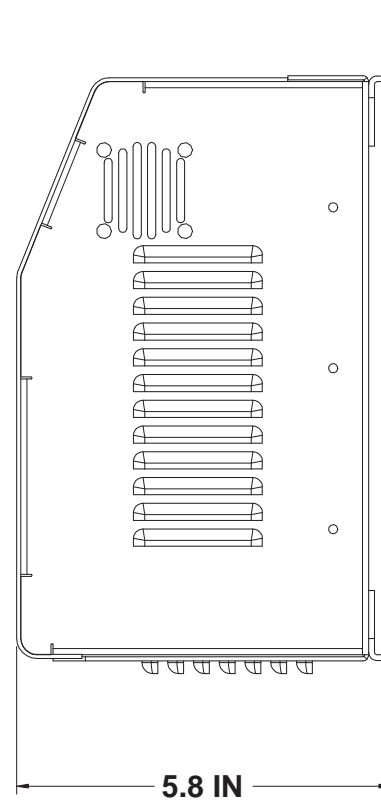
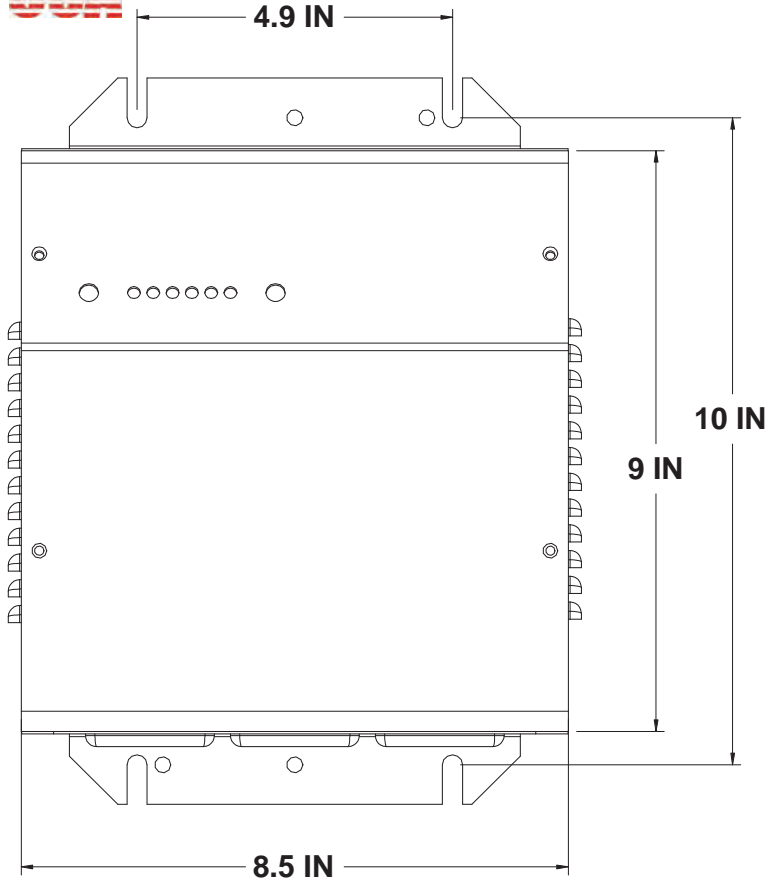


SIZE B	FSCM NO.	DWG NO. OBRMJLG	REV A
SCALE			SHEET



EAGLE OBRM / OBRMJLG FRONT AND BACK MOUNTING OPTION

REVISIONS				
ZONE	REV	DESCRIPTION	DATE	APPROVED
	A	REFERENCE ONLY	01/19/11	



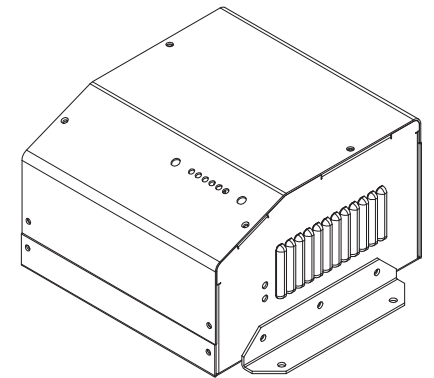
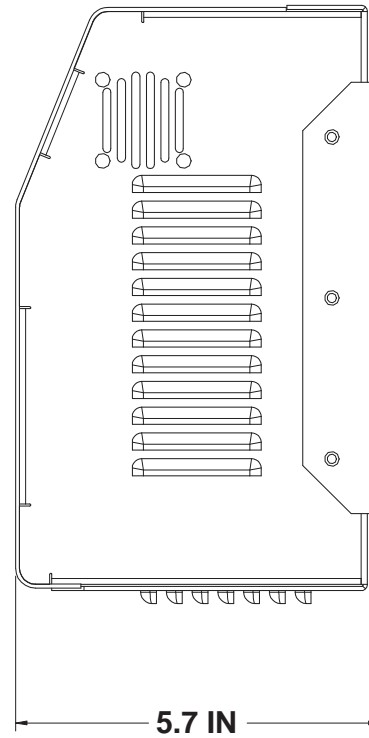
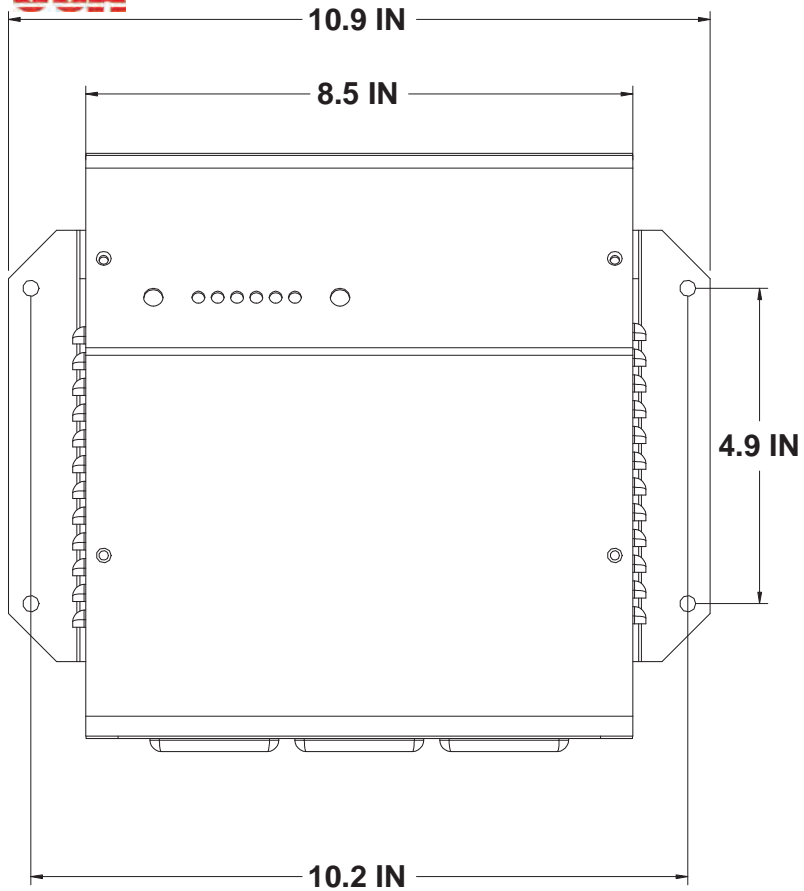
SIZE B	FSCM NO.	DWG NO. EAGLE PERFORMANCE FRONT BACK MOUNT	REV A
SCALE		SHEET	



EAGLE - ALL OB UNITS

SIDE FLANGE MOUNTING OPTION 1

REVISIONS				
ZONE	REV	DESCRIPTION	DATE	APPROVED
	A	REFERENCE ONLY	01/19/11	

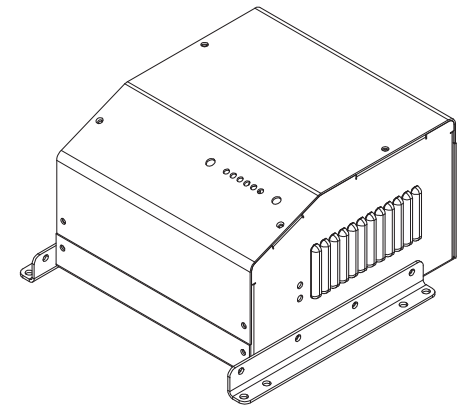
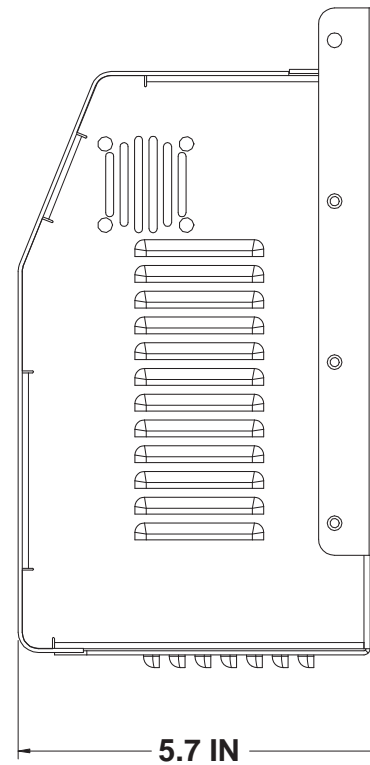
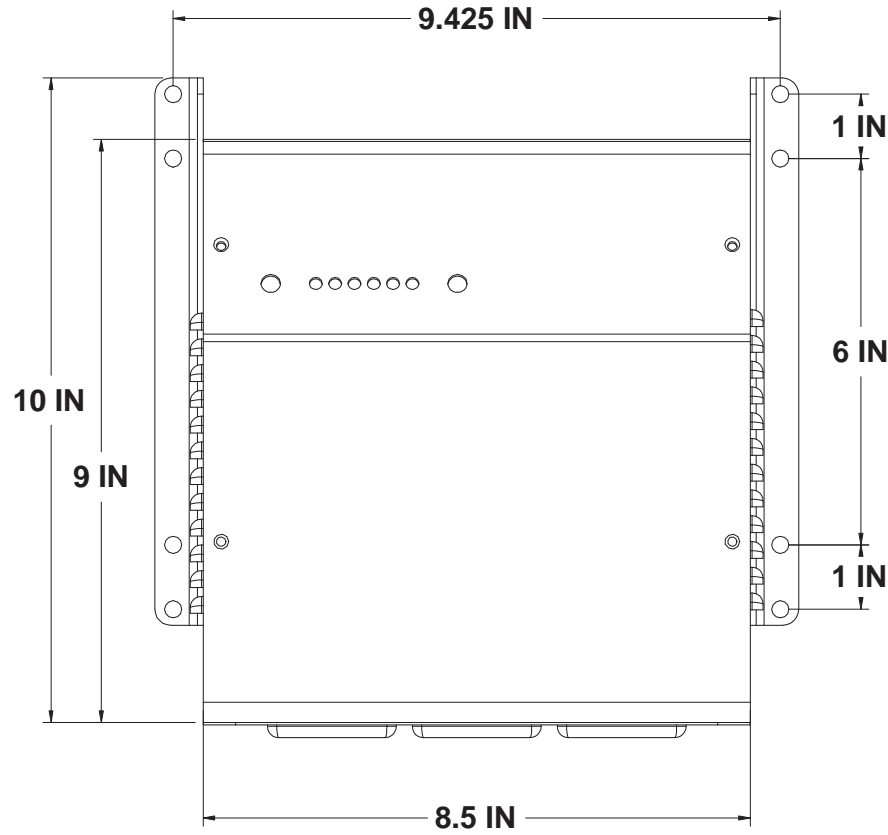


SIZE	FSCM NO.	DWG NO.	REV
B		EAGLE PERFORMANCE SIDE OPTION 1	A
SCALE		SHEET	



EAGLE - ALL OB UNITS SIDE FLANGE MOUNTING OPTION 2

REVISIONS				
ZONE	REV	DESCRIPTION	DATE	APPROVED
	A	REFERENCE ONLY	01/19/11	

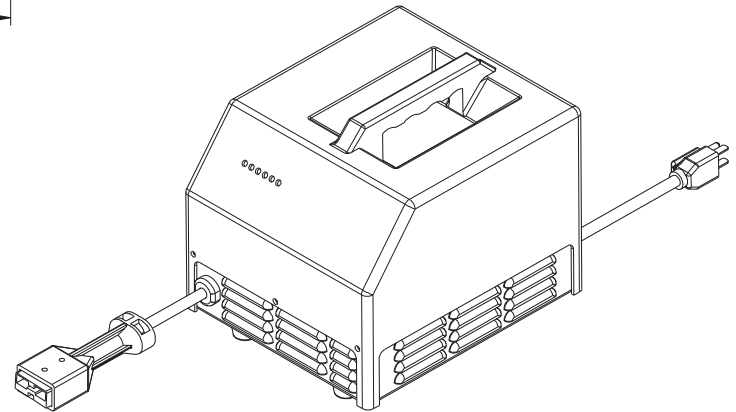
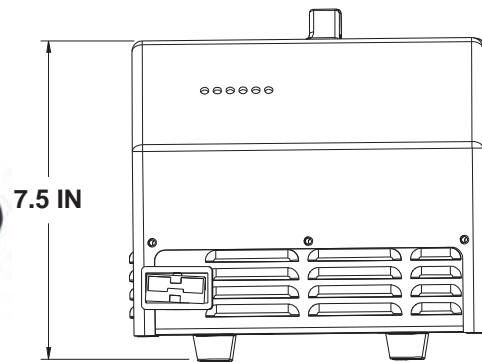
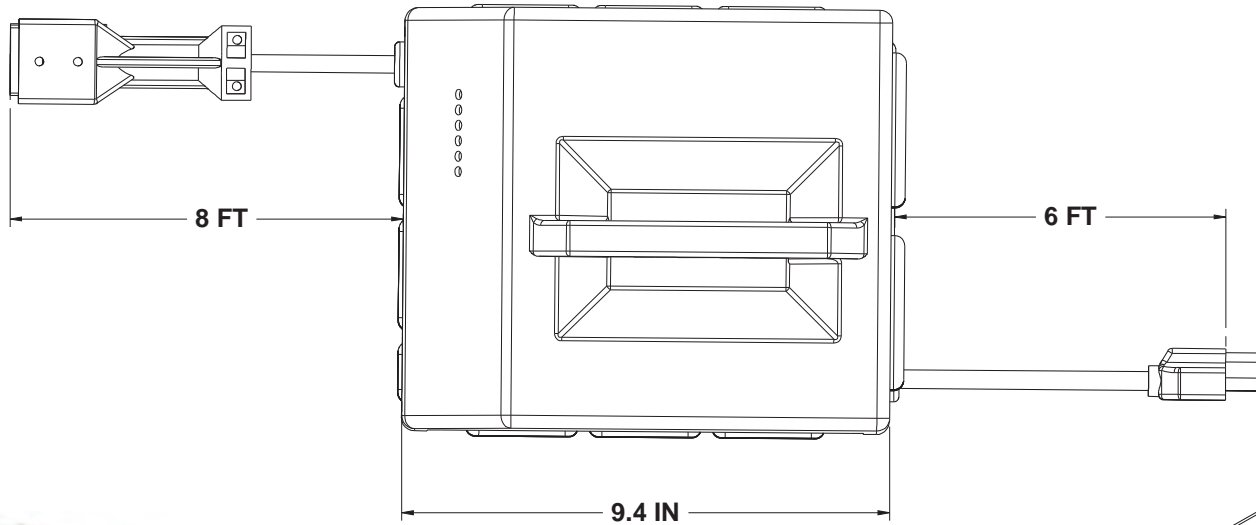


SIZE B	FSCM NO.	DWG NO. EAGLE PERFORMANCE SIDE MOUNT 2	REV A
SCALE	SHEET		



i2420RM / i2425RM EAGLE PERFORMANCE SERIES PORTABLE

REVISIONS				
ZONE	REV	DESCRIPTION	DATE	APPROVED
	A	REFERENCE ONLY	08/31/12	



SIZE B	FSCM NO.	DWG NO. EAGLE PERFORMANCE RM	REV A
SCALE			SHEET



PRO Charging Systems
Made in the USA



Battery Type Battery System
Wet AGM Gel AGM Gel
100% 75% 50% 25%
Percent Charged

Eagle Performance SERIES
24 VOLT / 25 AMP
Model 2425

Manufactured by: Pro Charging Systems, LLC
800.742.8740

DUAL PRO
The Quality Pro Measurement

INPUT: 115 VAC 15.0A (MAX) 60HZ OUTPUT: 18A @ 48.0 VDC
FOR USE WITH LEAD-ACID (WET/AGM) OR GELLED ELECTROLYTE
BATTERIES OF 150 TO 395 AMPERE-HOURS (20 AH RATING) 24 CELLS